

# SERENITY

# REAVER-IZED

## **Building Instructions by Chris Doyle** **Of [www.ReasonablyClever.com](http://www.ReasonablyClever.com)**

I hope you find the following instructions useful!

This set of instructions covers how to build the "Reaver-ized" version of Serenity from the feature film. It's basically the same design as the normal "Snack Sized Serenity," but with some color variations on the bricks and a bunch of new external detailing.

If you would like to see the source .mpd files for this project, please check at ReasonablyClever. They're a free download.

First off, I'll list the parts you'll need for this project, then there are graphics showing you how to build the model every step of the way. There were two parts that were not available for the LEGO CAD programs when I made these instructions:



is represented by this part in the instructions:



is represented by this part:



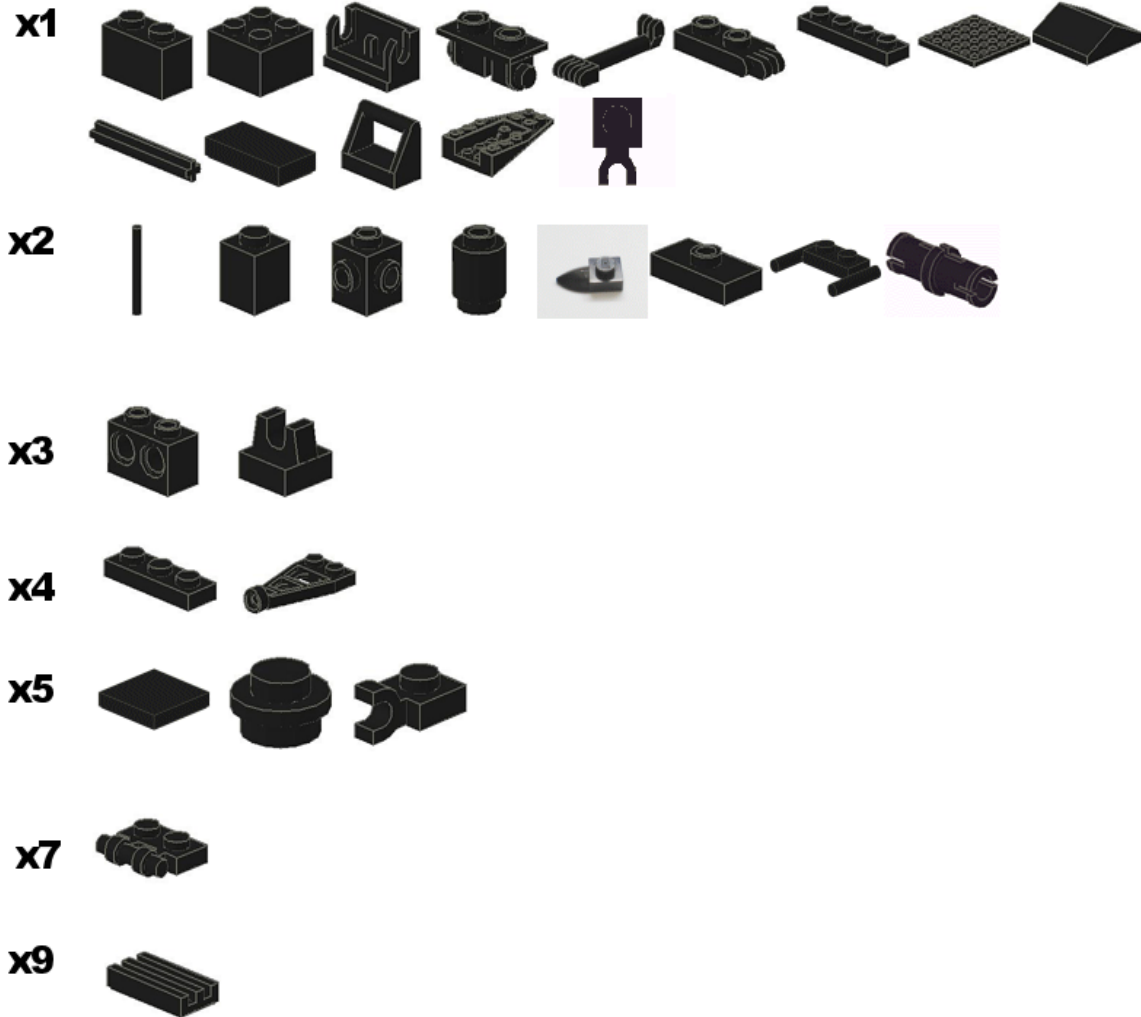
If you have questions or comments, please feel free to email me at [Bat\\_hero@hotmail.com](mailto:Bat_hero@hotmail.com)

A leaf in the wind,

Chris

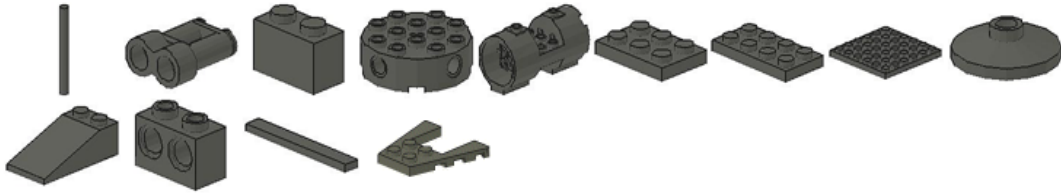
First, here's a full list of the parts that you'll need. I'll show this in two ways. First up, there is a pictographic view of the parts sorted by color and quantity. Following that, I've copied the text list with descriptions generated by the CAD program.

### Black Parts



### Dark Grey Parts

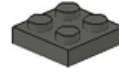
x1



x2

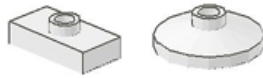


x3



### White Parts

x2



x5

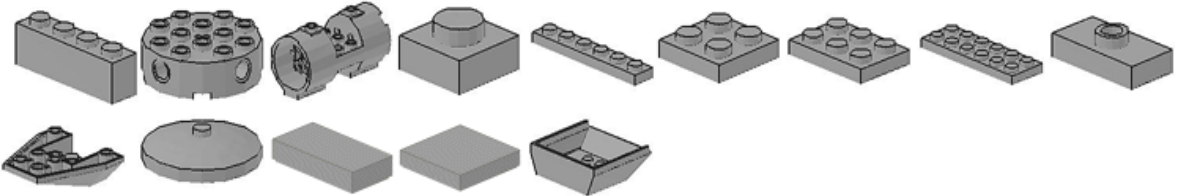


x7

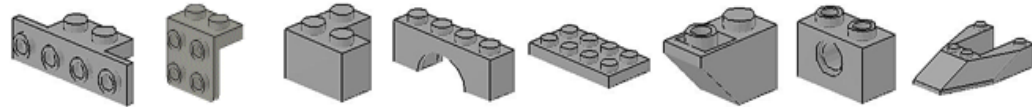


### Light Grey Parts

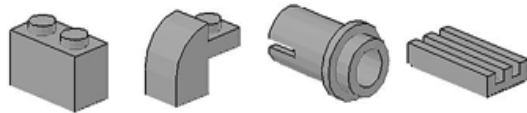
x1



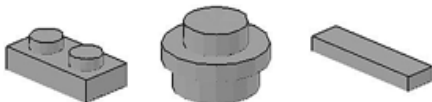
x2



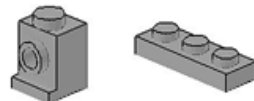
x4



x5



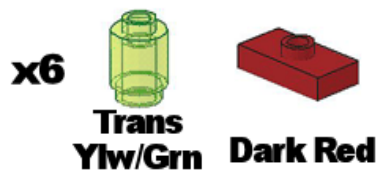
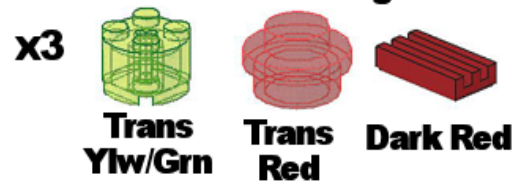
x6



## Brown Parts



## Other Parts



Next, here's the full part list as culled from MLcad (after summarizing the sub-assemblies, anyway.)

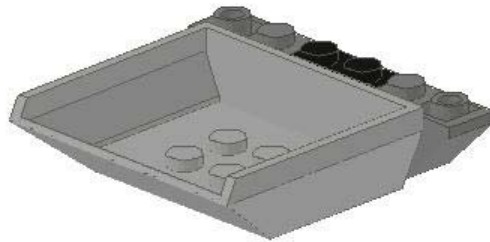
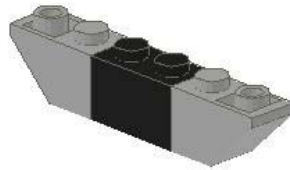
Qty.	Color	Description	LCAD File
2	Black	Bar 4L Light Sabre Blade	30374.DAT
2	Black	Brick 1 x 1	3005.DAT
2	Black	Brick 1 x 1 Round with Hollow Stud	3062B.DAT
2	Black	Brick 1 x 1 with Studs on Four Sides	4733.DAT
1	Black	Brick 1 x 2	3004.DAT
1	Black	Brick 2 x 2	3003.DAT
1	Black	Hinge 1 x 2 Base	3937.DAT
1	Black	Hinge 1 x 2 Top	3938.DAT
1	Black	Hinge Bar 2 & 1/2 with 2 and 3 Fingers on Ends	2880.DAT
1	Black	Hinge Plate 1 x 2 with 2 Fingers	4276.DAT
2	Black	Modified Plate with Tooth	No Part
5	Black	Plate 1 x 1 Round	4073.DAT
6	Black	Plate 1 x 1 with Clip Horizontal	6019.DAT
2	Black	Plate 1 x 2 with 1 Stud	3794.DAT
5	Black	Plate 1 x 2 with Handle	2540.DAT
2	Black	Plate 1 x 2 with Handles Type 2	3839B.DAT
4	Black	Plate 1 x 3	3623.DAT
1	Black	Plate 1 x 4	3710.DAT
1	Black	Plate 2 x 2	3022.DAT
1	Black	Plate 6 x 6	3958.DAT
1	Black	Slope Brick 33 2 x 2 Double	3300.DAT
4	Black	Space Wing 4 x 2	4596.DAT
1	Black	Technic Axle 4	3705.DAT
3	Black	Technic Brick 1 x 2 with Holes	32000.DAT
2	Black	Technic Pin with Friction and Slots	2780.DAT
3	Black	Tile 1 x 1 with Clip	2555.DAT
8	Black	Tile 1 x 2 Grille with Groove	2412B.DAT
1	Black	Tile 1 x 2 with Groove	3069B.DAT
1	Black	Tile 1 x 2 with Handle	2432.DAT
5	Black	Tile 2 x 2 with Groove	3068B.DAT
1	Black	Wedge 6 x 4 Inverted	4856.DAT
1	Brown	~Dish 3 x 3 without Top Face	43898s01.dat
4	Brown	Plate 1 x 2 with Handle	2540.DAT
1	Brown	Plate 1 x 3	3623.DAT
1	Brown	Plate 2 x 3	3021.DAT
2	Brown	Tile 1 x 2 Grille with Groove	2412B.DAT
1	Brown	Tile 1 x 8	4162.DAT
2	Brown	Wheel Centre Spoked Small	30155.DAT
1	Dark Grey	Minifig Tool Binoculars Town	30162.DAT
1	Dark Grey	Tile 1 x 2 with Handle	2432.DAT
7	Dark Red	Plate 1 x 2 with 1 Stud	3794.DAT
1	Dark Red	Plate 1 x 2 with Handle	2540.DAT
2	Dark Red	Slope Brick 33 3 x 1	4286.DAT

2	Dark Red	Tile 1 x 1 with Clip	2555.DAT
1	Dark Red	Tile 1 x 1 without Groove	3070A.DAT
4	Dark Red	Tile 1 x 2 Grille with Groove	2412B.DAT
1	Dark-Gray	Bar 4L Light Sabre Blade	30374.DAT
1	Dark-Gray	Brick 1 x 2	3004.DAT
1	Dark-Gray	Brick 4 x 4 Round with Holes	6222.DAT
1	Dark-Gray	Cylinder 3 x 6 x 2 2/3 Horizontal	30360.DAT
1	Dark-Gray	Dish 2 x 2 Inverted	4740.DAT
2	Dark-Gray	Plate 1 x 1 Round	4073.DAT
2	Dark-Gray	Plate 1 x 2 with Handle	2540.DAT
2	Dark-Gray	Plate 2 x 2	3022.DAT
1	Dark-Gray	Plate 2 x 3	3021.DAT
1	Dark-Gray	Plate 2 x 4	3020.DAT
1	Dark-Gray	Plate 6 x 6	3958.DAT
1	Dark-Gray	Slope Brick 18 4 x 2	30363.DAT
1	Dark-Gray	Technic Brick 1 x 2 with Holes	32000.DAT
2	Dark-Gray	Tile 1 x 2 Grille with Groove	2412B.DAT
1	Dark-Gray	Tile 1 x 8	4162.DAT
1	Dark-Gray	Wing 4 x 4 with 2 x 2 Cutout	43719.dat
1	Green	Technic Brick 1 x 2 with Axlehole	32064.DAT
4	Light Blue-Gray	Brick 1 x 1 with Studs on Two Opposite Sides	47905.DAT
2	Light-Gray	Arch 1 x 4	3659.DAT
2	Light-Gray	Bracket 1 x 2 - 1 x 4	2436.DAT
2	Light-Gray	Bracket 1 x 2 - 2 x 2	44728.DAT
6	Light-Gray	Brick 1 x 1 with Headlight	4070.DAT
4	Light-Gray	Brick 1 x 2	3004.DAT
1	Light-Gray	Brick 1 x 4	3010.DAT
4	Light-Gray	Brick 2 x 1 x 1 & 1/3 with Curved Top	6091.DAT
2	Light-Gray	Brick 2 x 2 Corner	2357.DAT
1	Light-Gray	Brick 4 x 4 Round with Holes	6222.DAT
1	Light-Gray	Cylinder 3 x 6 x 2 2/3 Horizontal	30360.DAT
1	Light-Gray	Dish 4 x 4 Inverted	3960.DAT
1	Light-Gray	Plate 1 x 1	3024.DAT
5	Light-Gray	Plate 1 x 1 Round	4073.DAT
5	Light-Gray	Plate 1 x 2	3023.DAT
1	Light-Gray	Plate 1 x 2 with 1 Stud	3794.DAT
1	Light-Gray	Plate 1 x 2 with Handle	2540.DAT
6	Light-Gray	Plate 1 x 3	3623.DAT
1	Light-Gray	Plate 1 x 6	3666.DAT
1	Light-Gray	Plate 2 x 2	3022.DAT
1	Light-Gray	Plate 2 x 3	3021.DAT
2	Light-Gray	Plate 2 x 4	3020.DAT
1	Light-Gray	Plate 2 x 6	3795.DAT
2	Light-Gray	Slope Brick 45 2 x 1 Inverted	3665.DAT
2	Light-Gray	Technic Brick 1 x 2 with Hole	3700.DAT
4	Light-Gray	Technic Pin 1/2	4274.DAT
4	Light-Gray	Tile 1 x 2 Grille with Groove	2412B.DAT
1	Light-Gray	Tile 1 x 2 with Groove	3069B.DAT

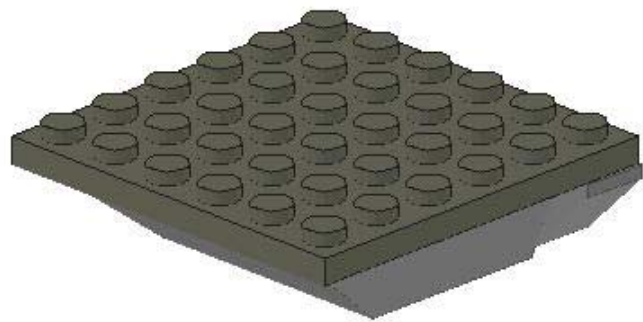
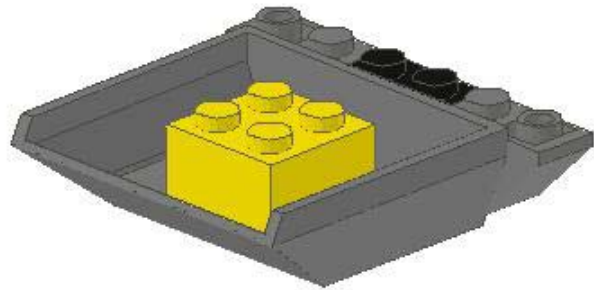
5	Light-Gray	Tile 1 x 4	2431.DAT
1	Light-Gray	Tile 2 x 2 with Groove	3068B.DAT
1	Light-Gray	Tipper Bucket Small	2512.DAT
1	Light-Gray	Wedge 4 x 4 Triple Inverted	4855.DAT
2	Light-Gray	Wedge 6 x 4	6153.DAT
1	Red	Plate 2 x 4	3020.DAT
2	Trans-Black	Tile 1 x 2 with Groove	3069B.DAT
2	Trans-Blue	Tile 1 x 2 with Groove	3069B.DAT
6	Trans-Light-Green	Brick 1 x 1 Round with Hollow Stud	3062B.DAT
3	Trans-Light-Green	Brick 2 x 2 Round	3941.DAT
2	Trans-Orange	Brick 2 x 2 Round	3941.DAT
2	Trans-Orange	Cone 1 x 1	4589.DAT
1	Trans-Red	Plate 1 x 1	3024.DAT
3	Trans-Red	Plate 1 x 1 Round	4073.DAT
2	White	Dish 2 x 2 Inverted	4740.DAT
5	White	Modified Plate with Tooth	No Part
2	White	Plate 1 x 2 with 1 Stud	3794.DAT
7	White	Small Viking Horn	No Part
2	Yellow	Brick 2 x 2	3003.DAT
1	Yellow	Plate 1 x 1 Round	4073.DAT
1	Yellow	Plate 2 x 3	3021.DAT

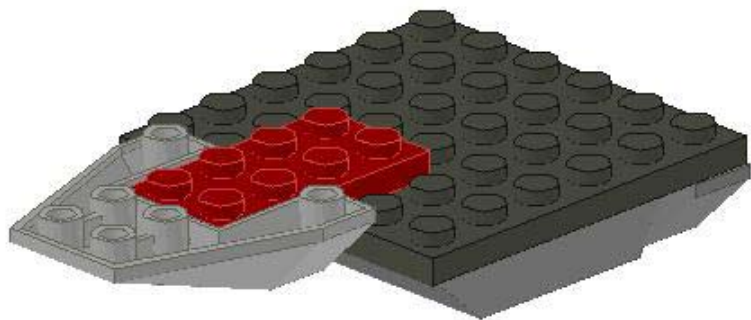
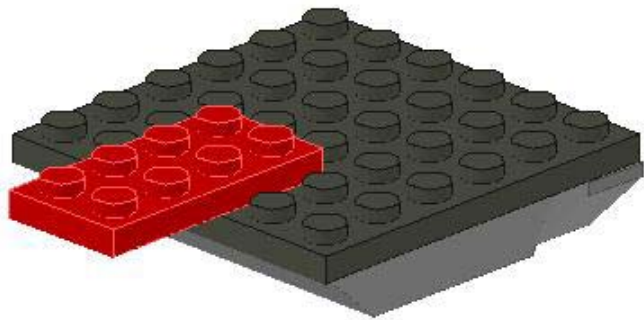
# Building Instructions

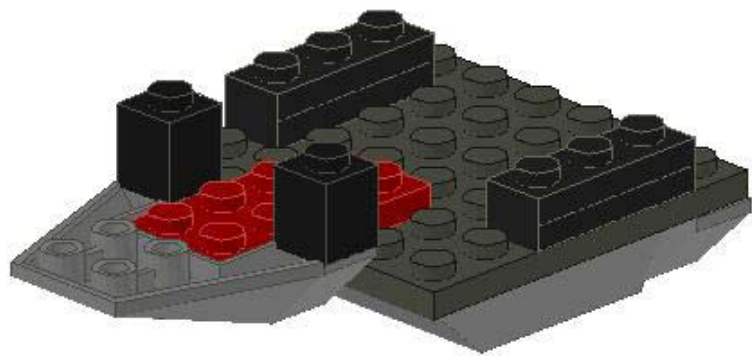
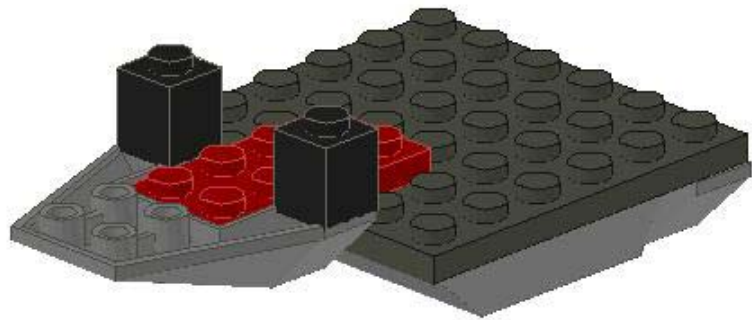
Now comes the fun part – actually building the Snack-Sized Serenity Model.

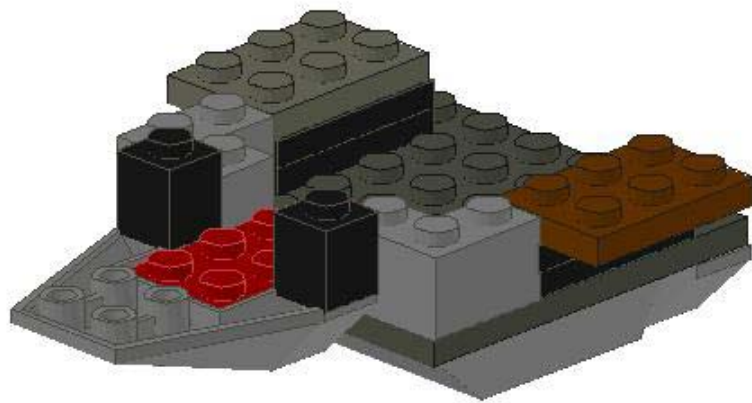
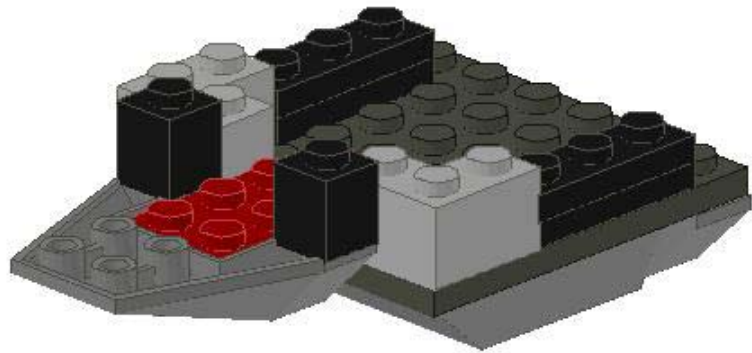




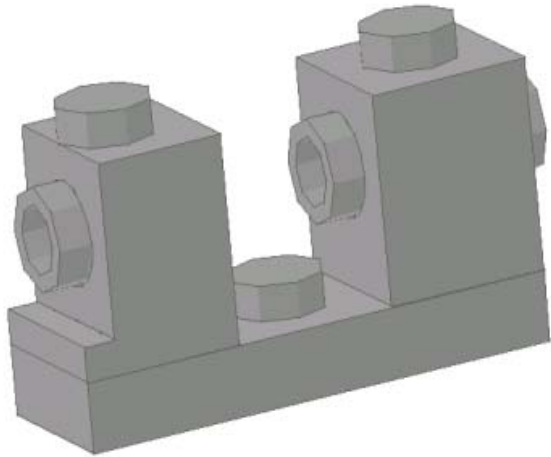




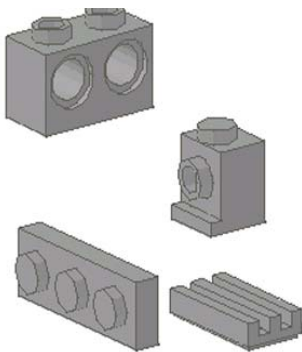




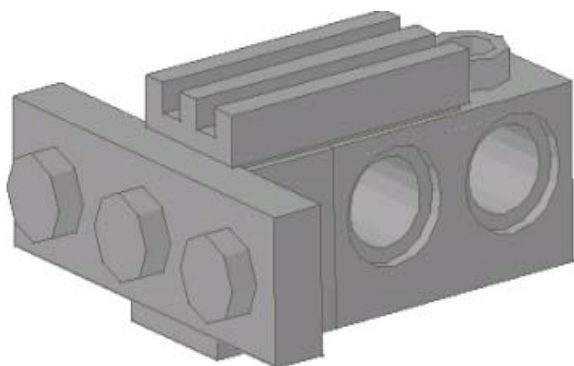
The wings on Snack-Size are a little tricky, so I recommend building these sub-assemblies first. You'll need two of each, one for each side. (Watch for color changes!) This first one is pretty straight-forward.

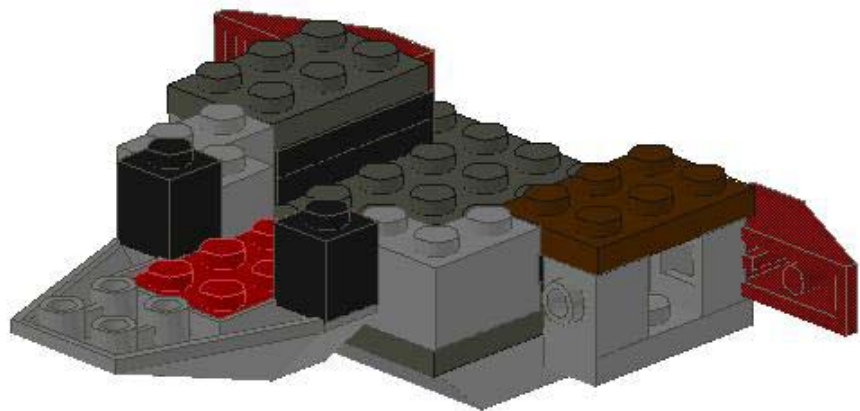
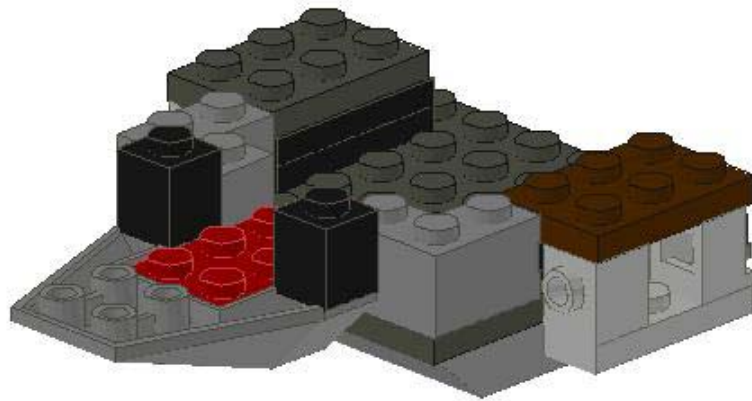


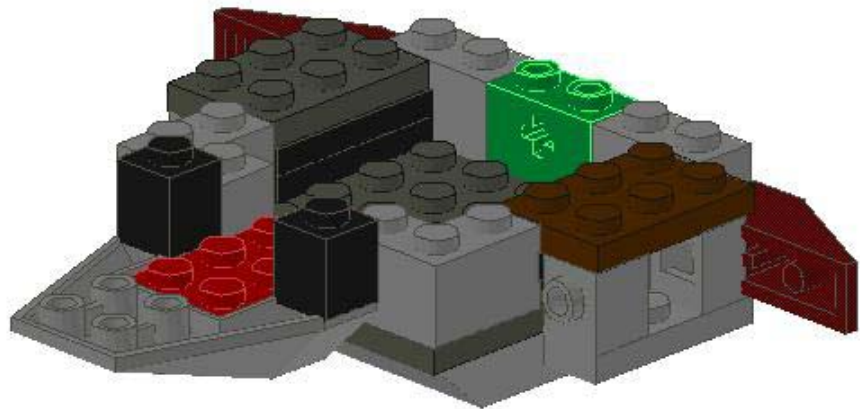
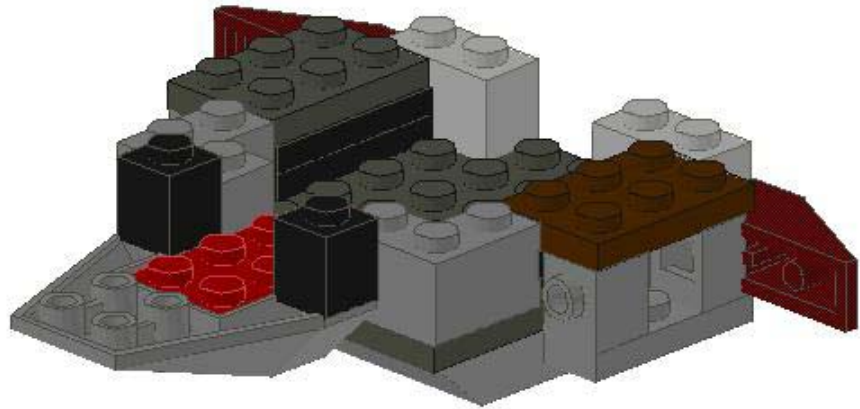
The second combines these four bits

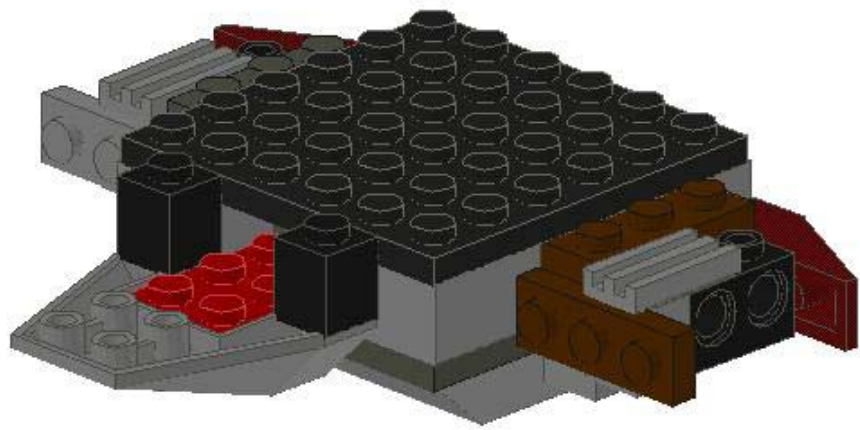
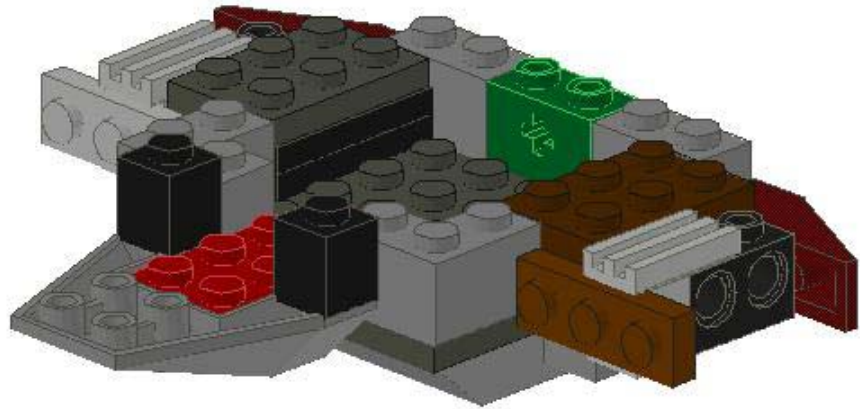


into this:

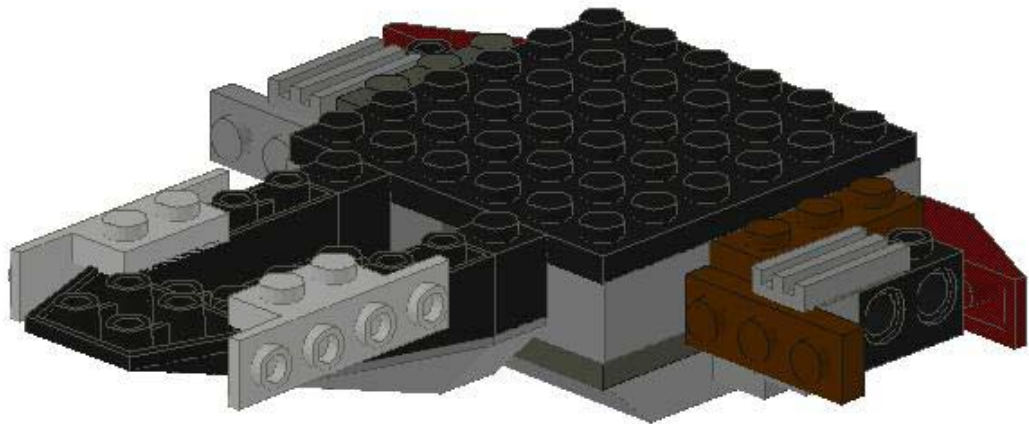
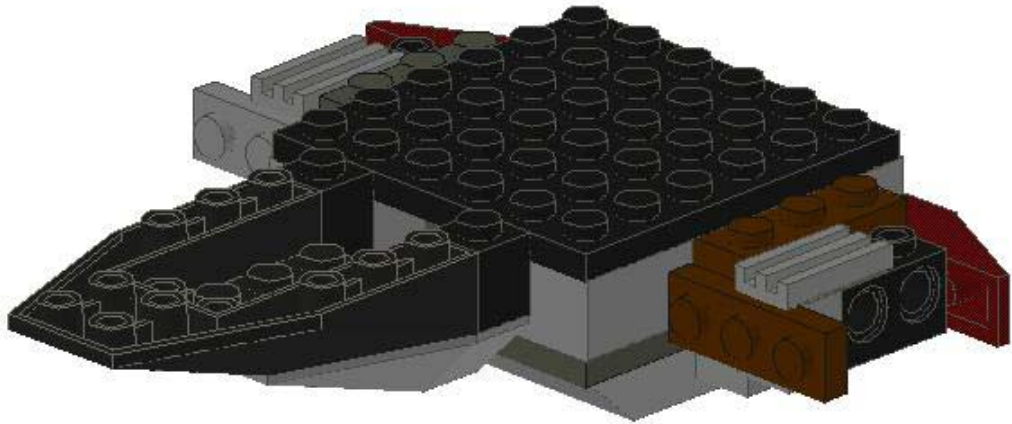


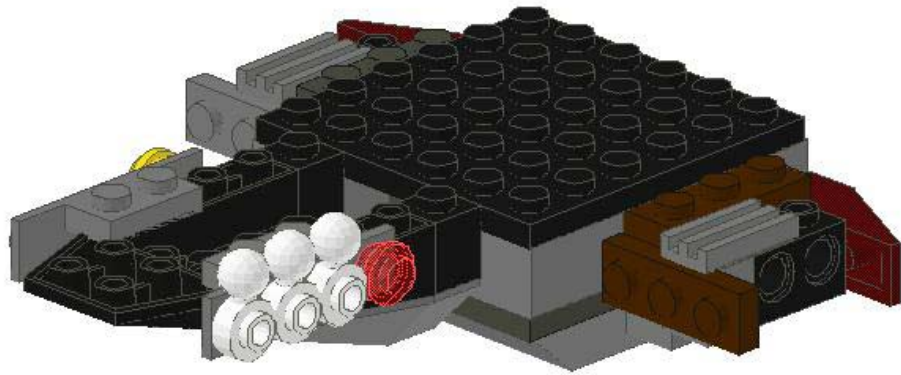








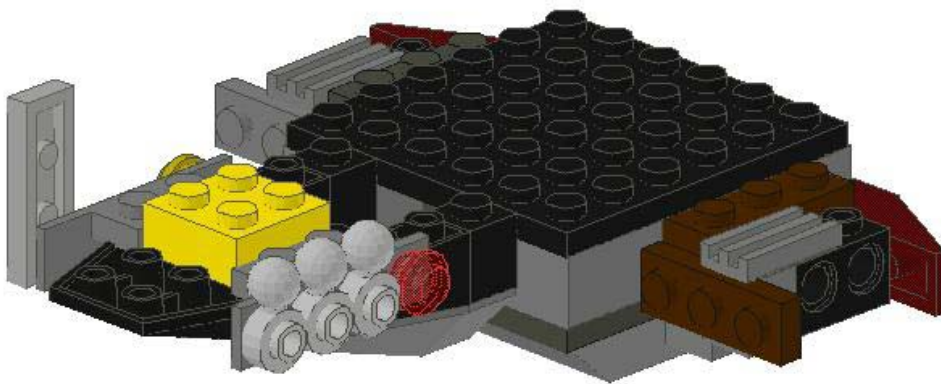


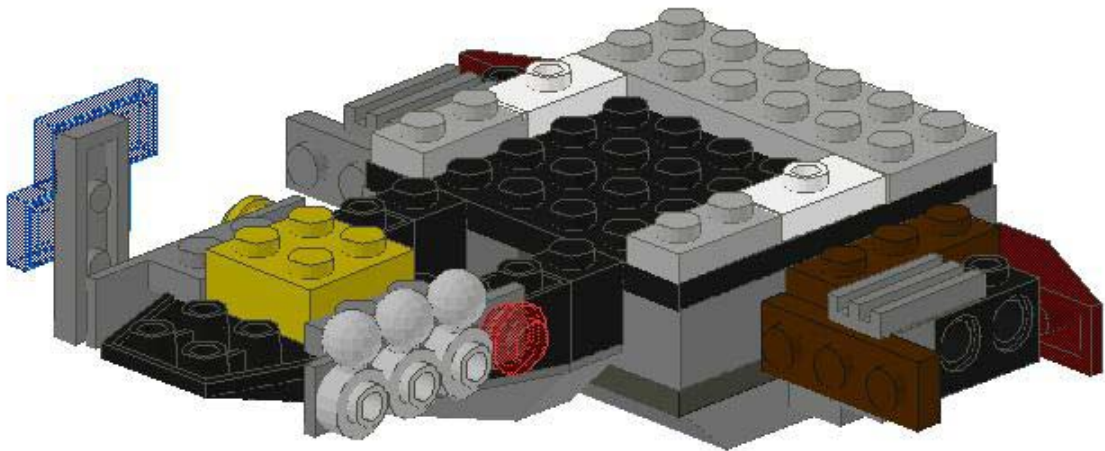
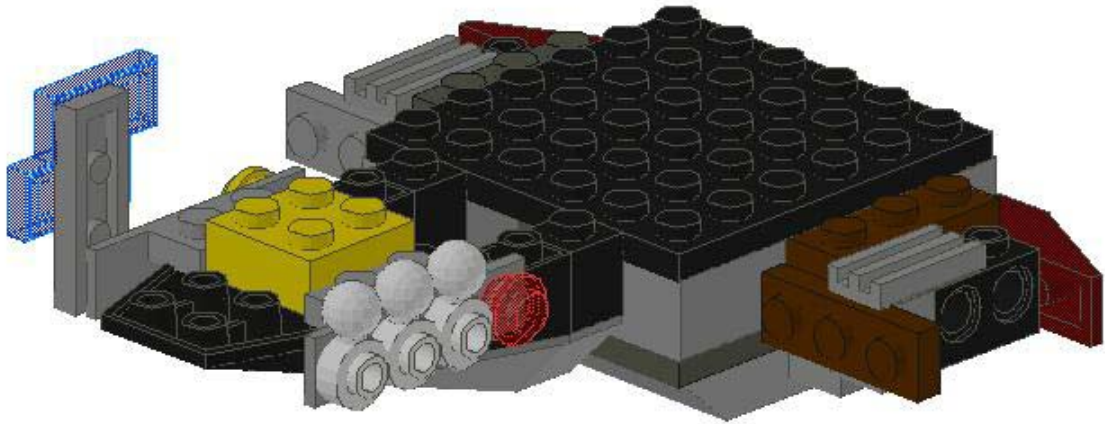


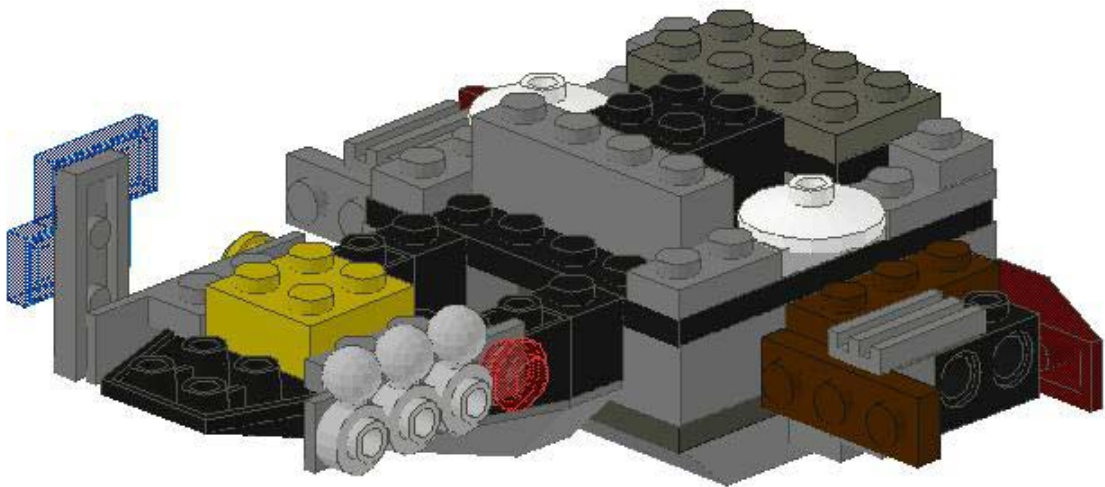
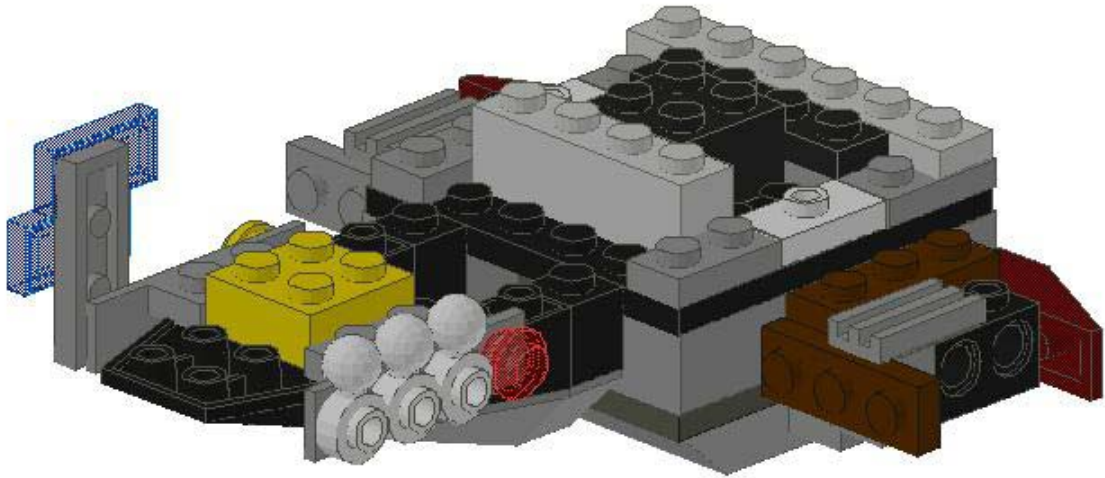
Remember that this

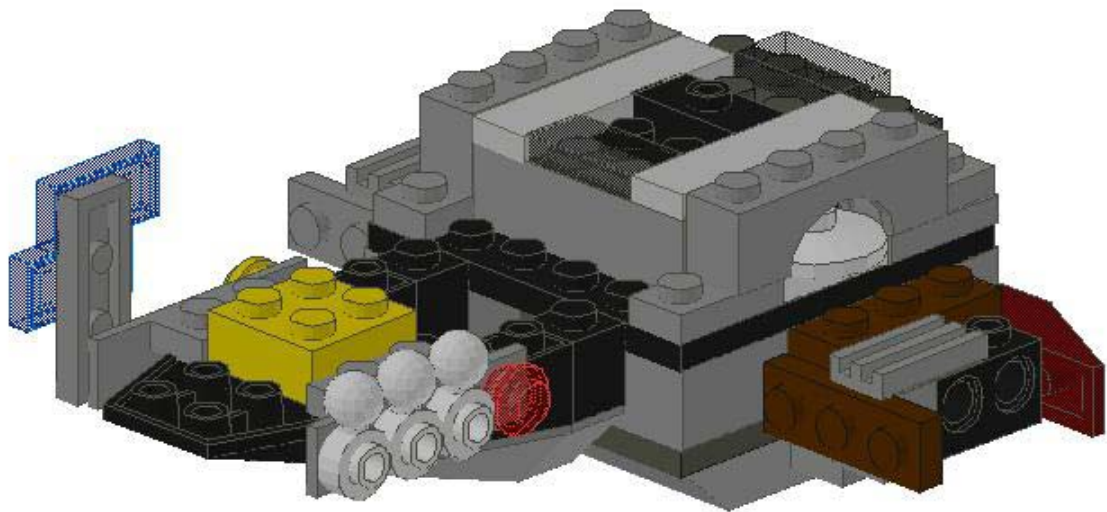
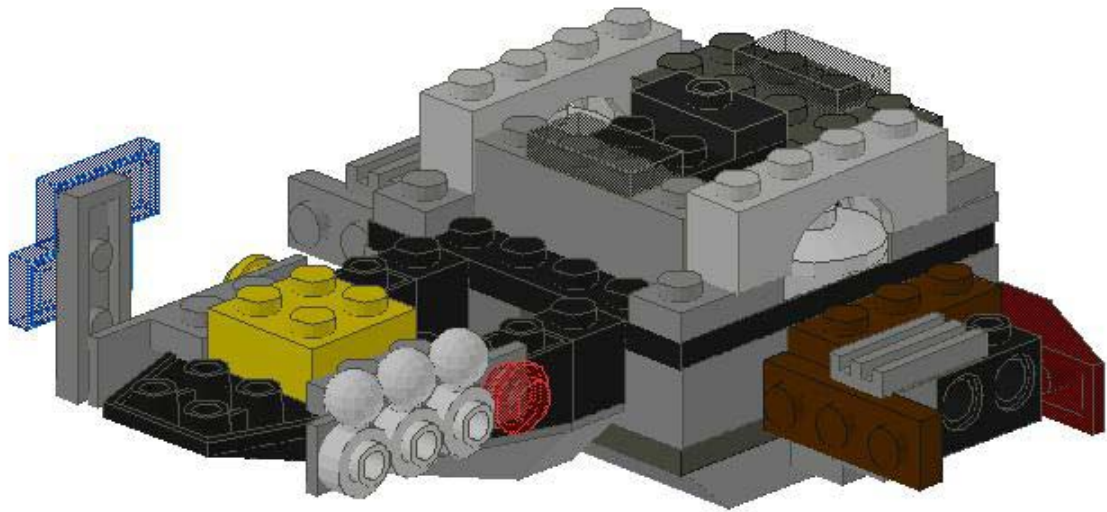


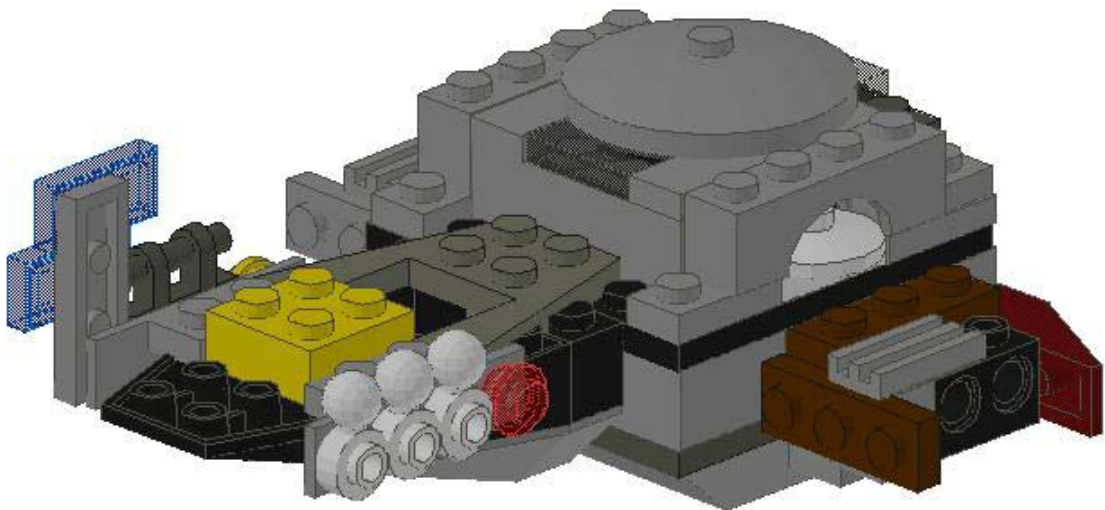
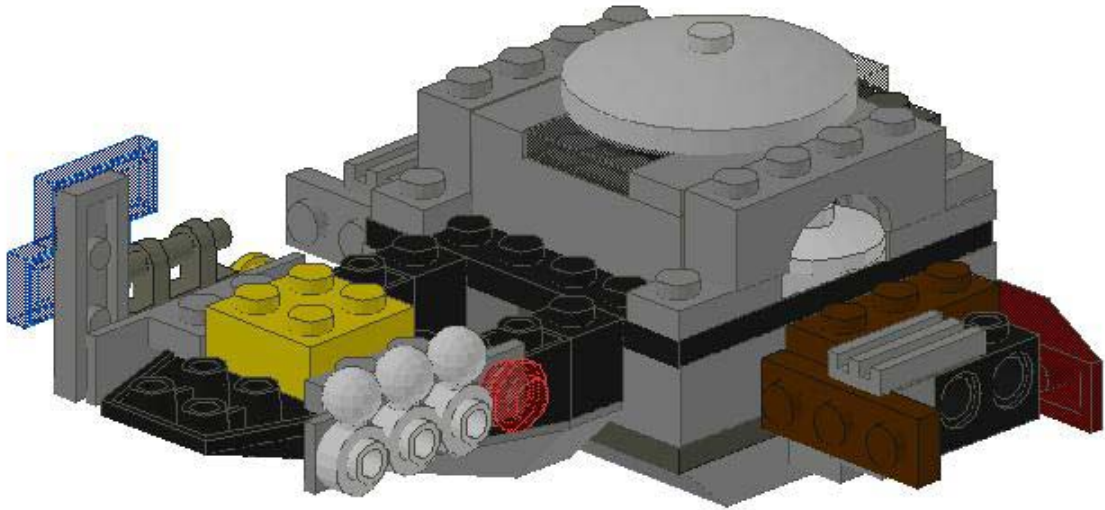
is actually this

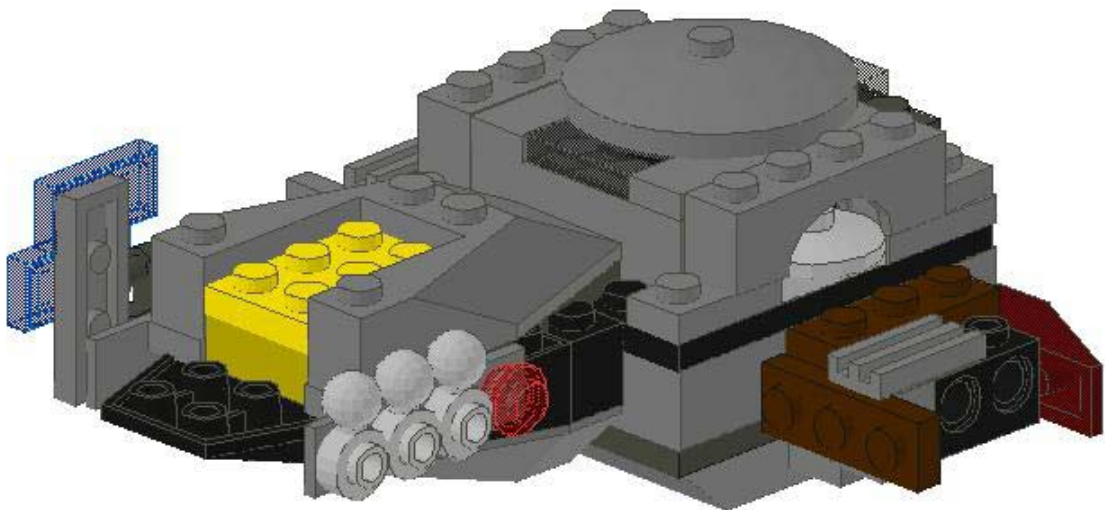
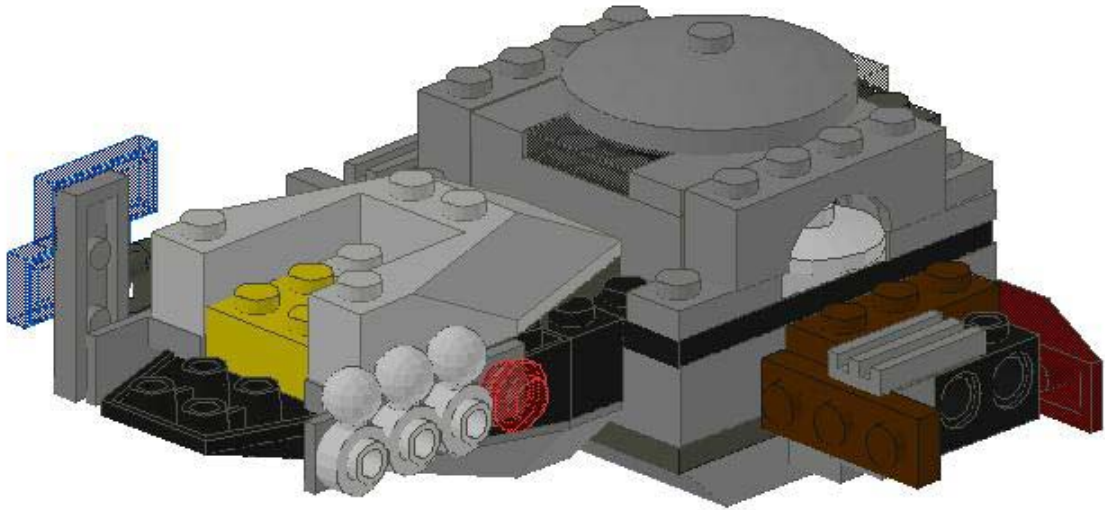


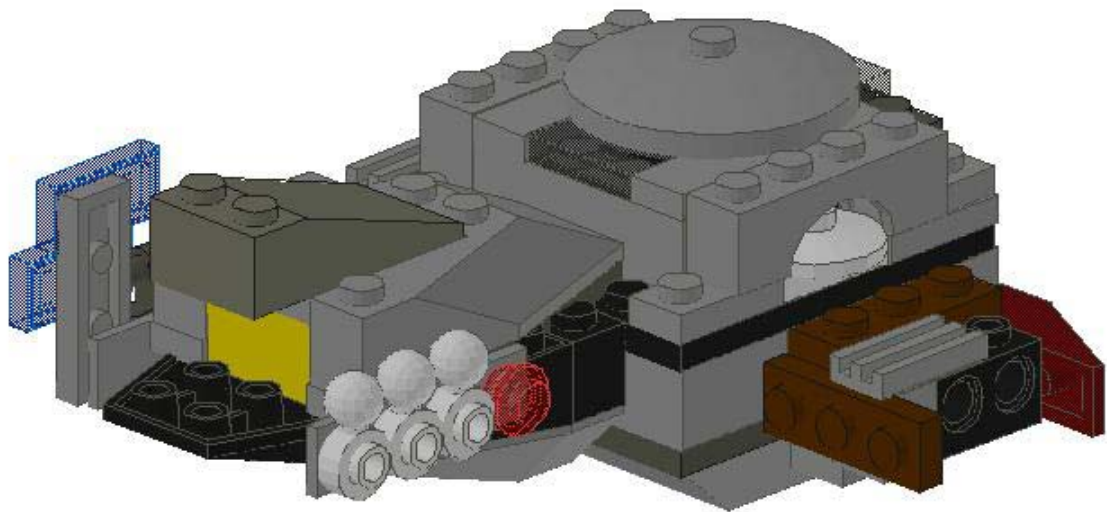
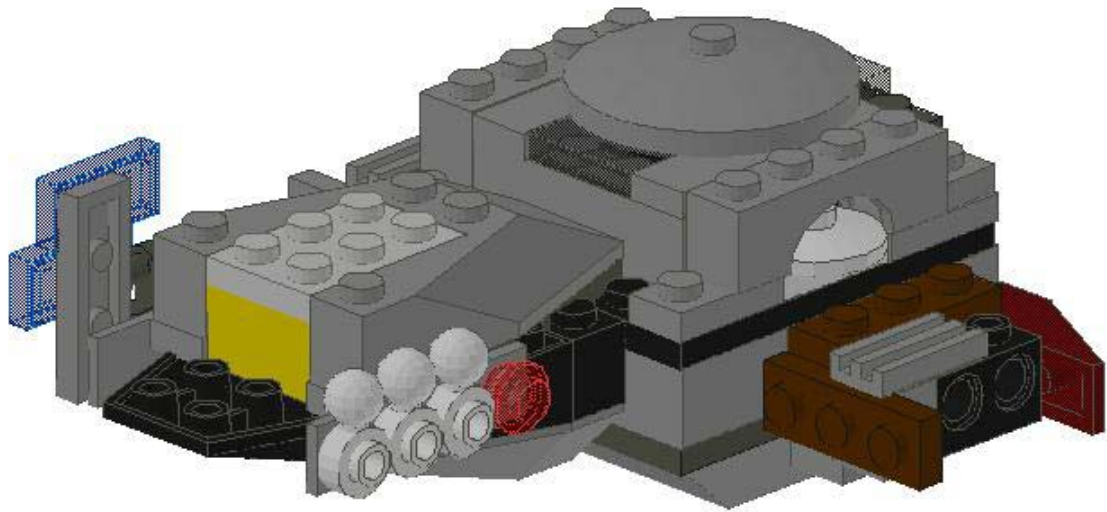




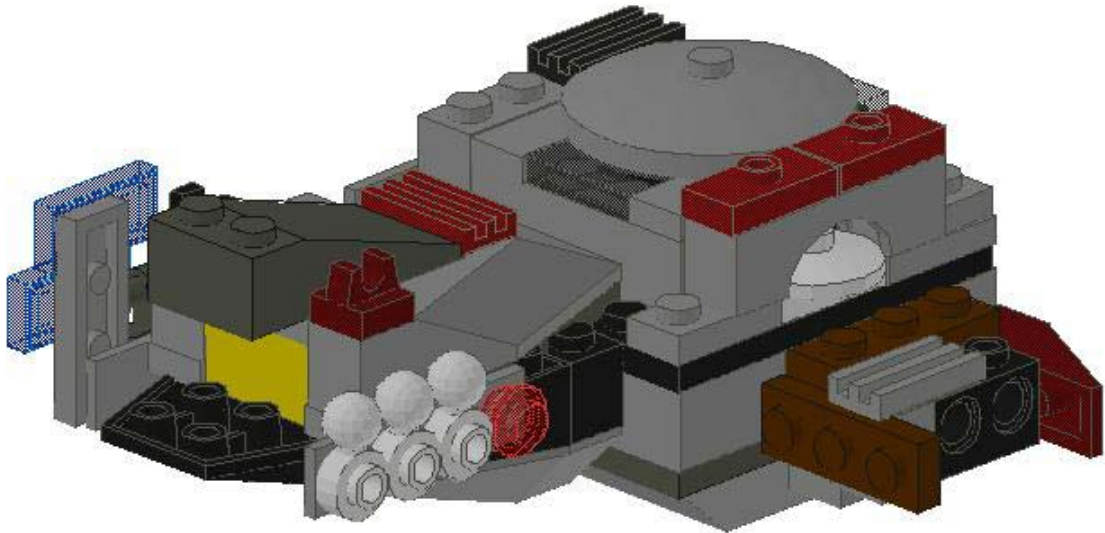
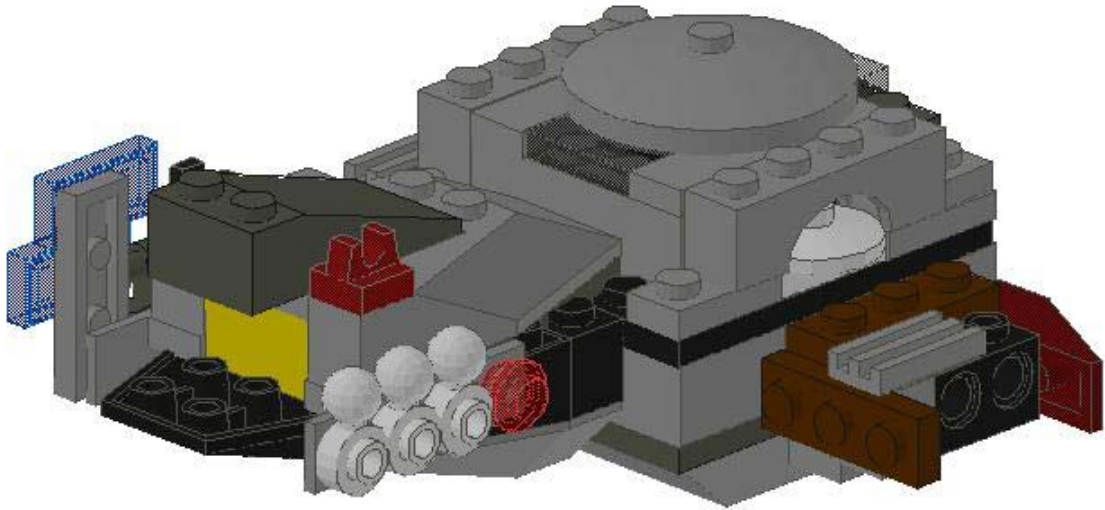


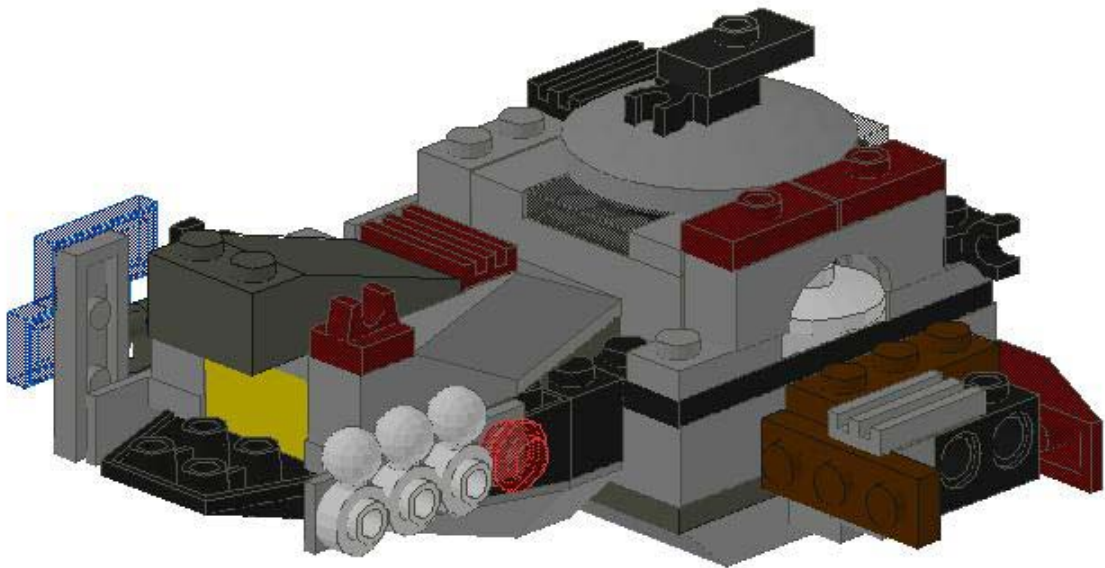
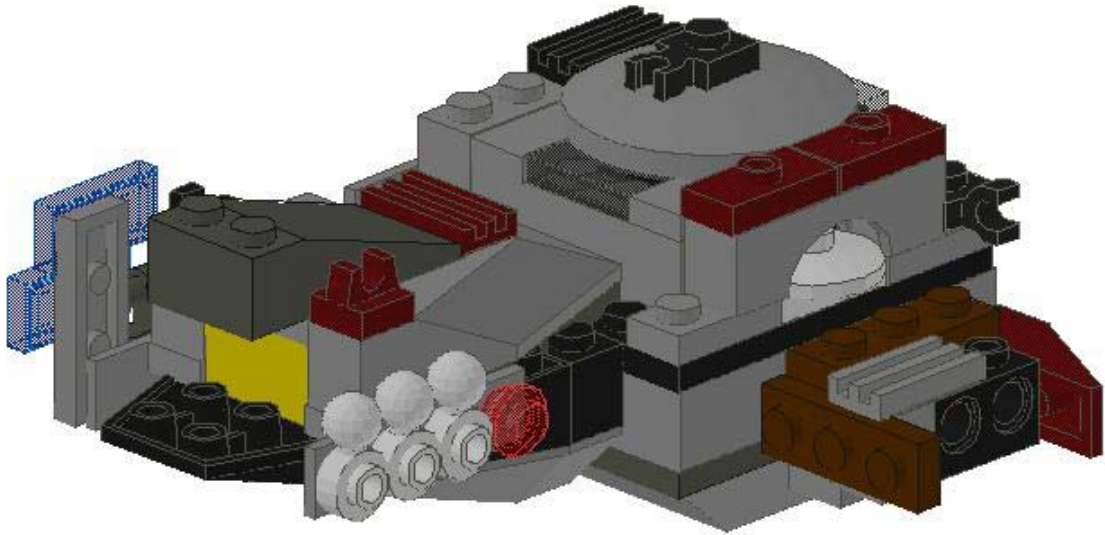


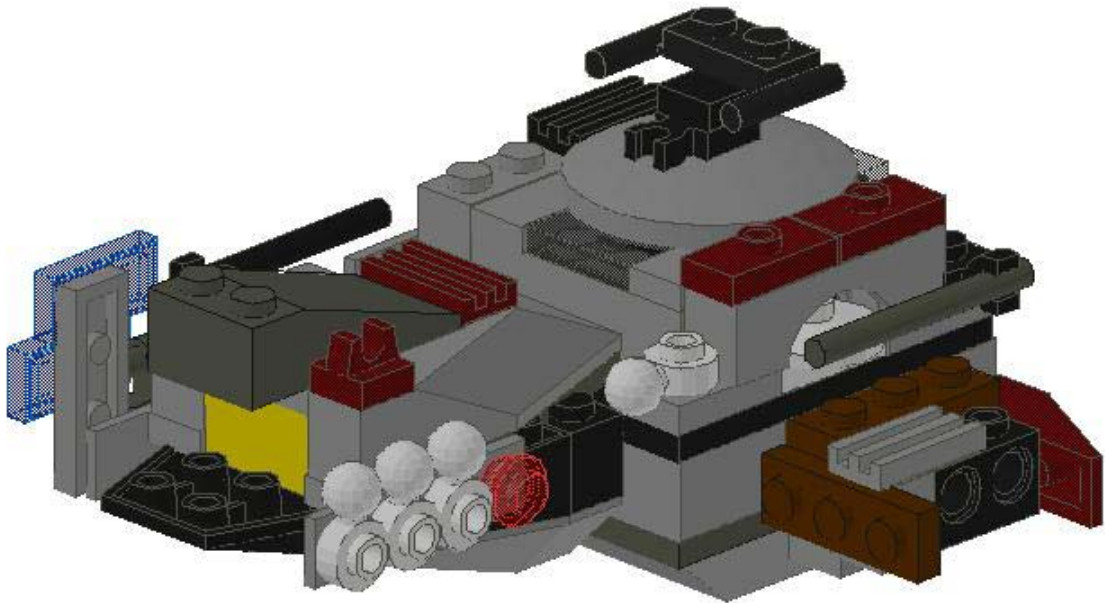
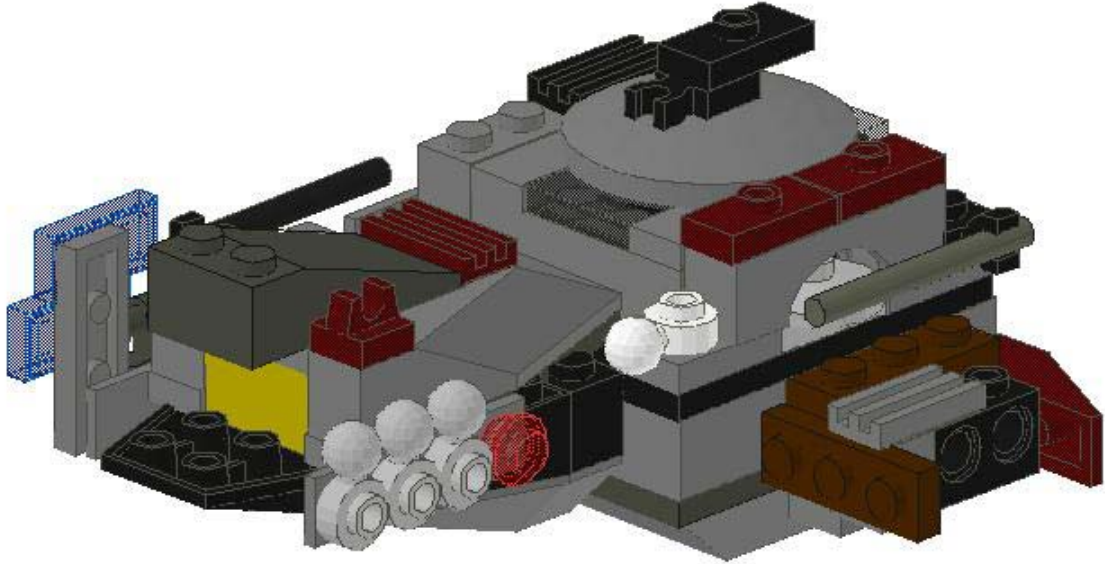


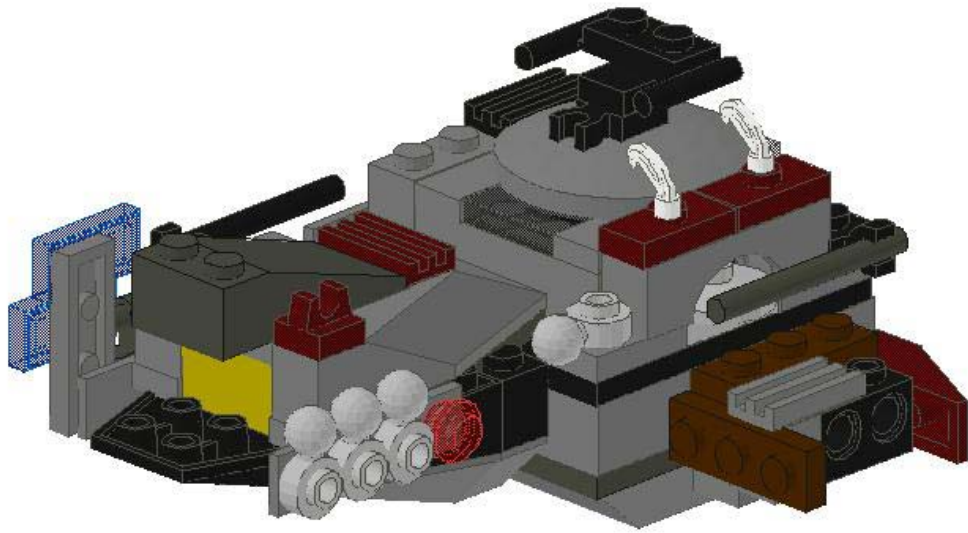








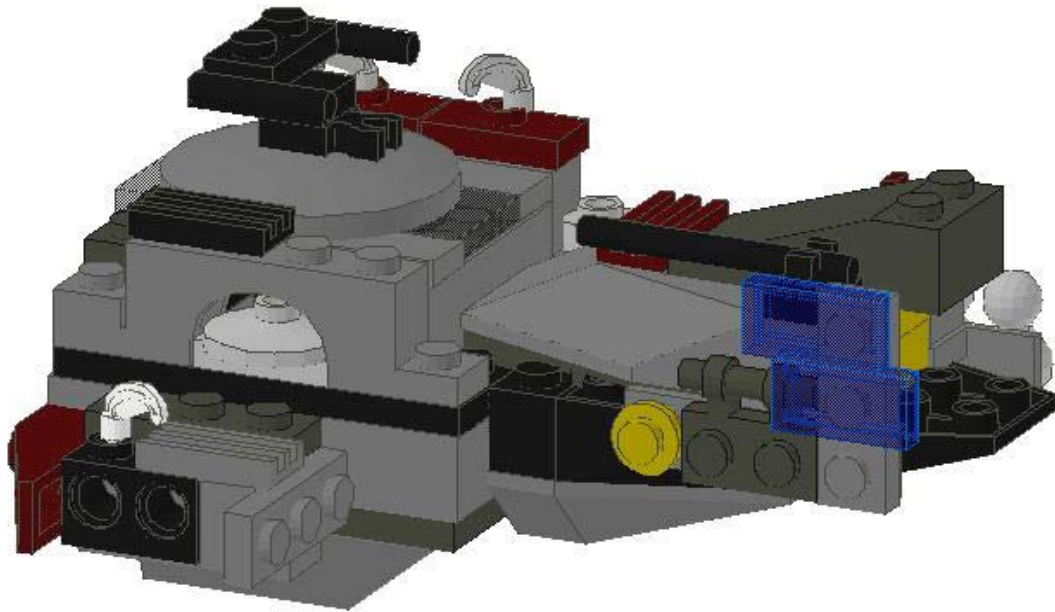


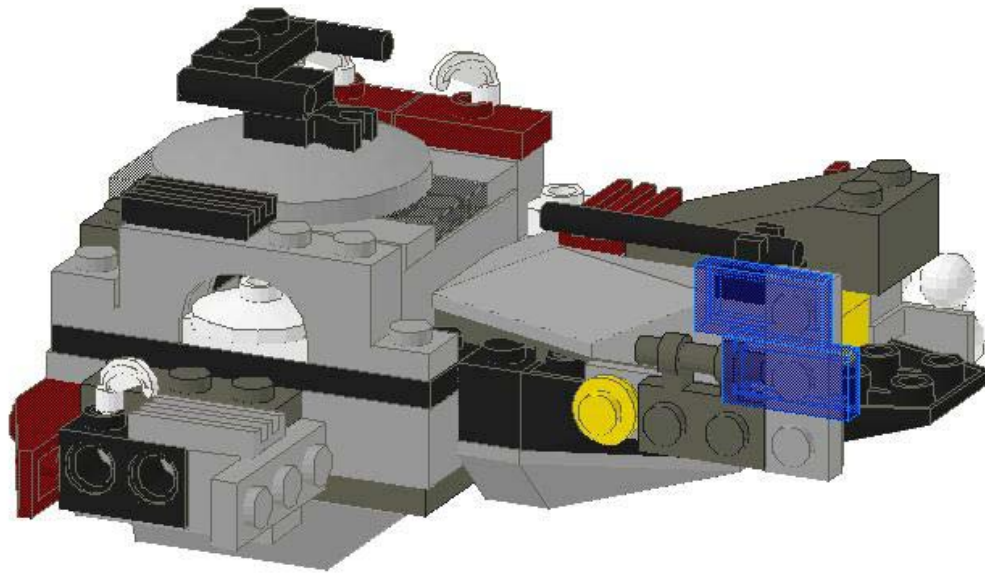


Remember that

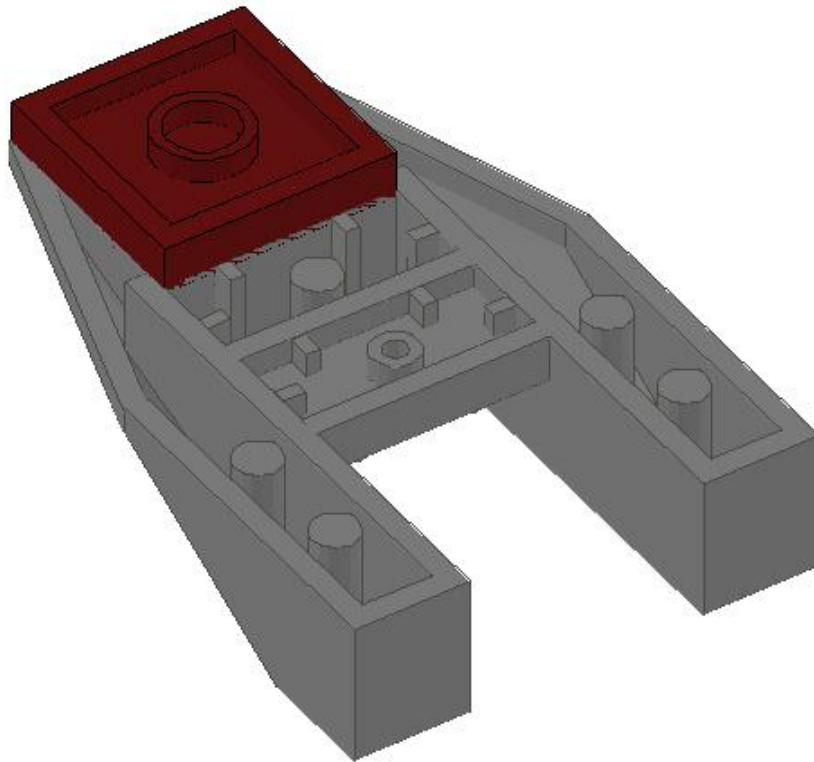
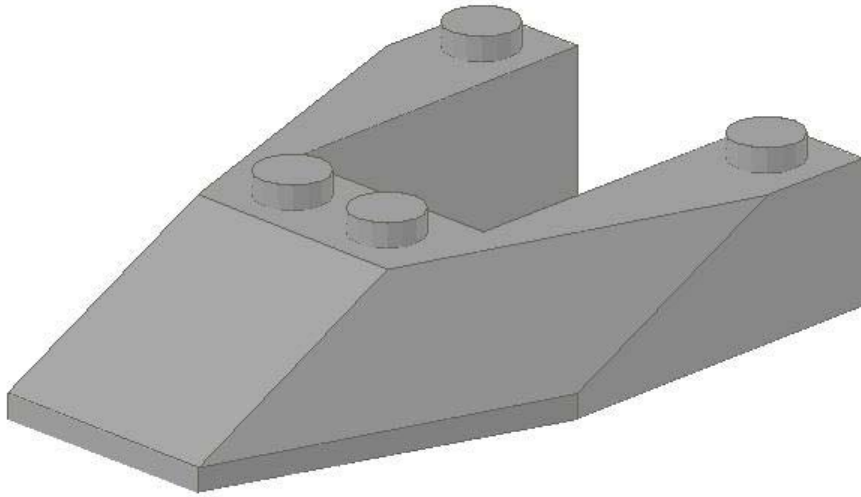


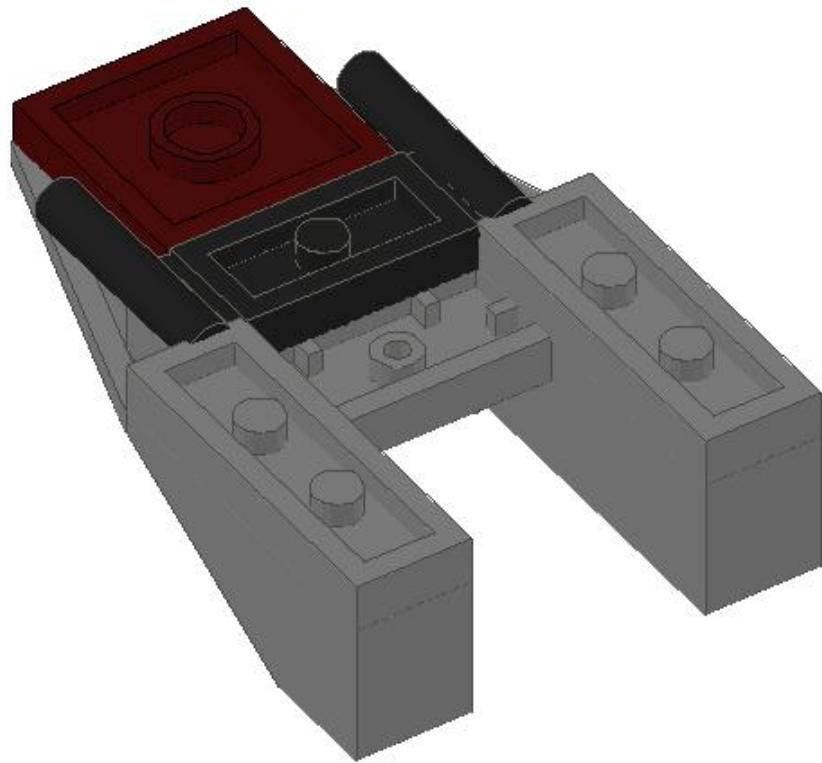
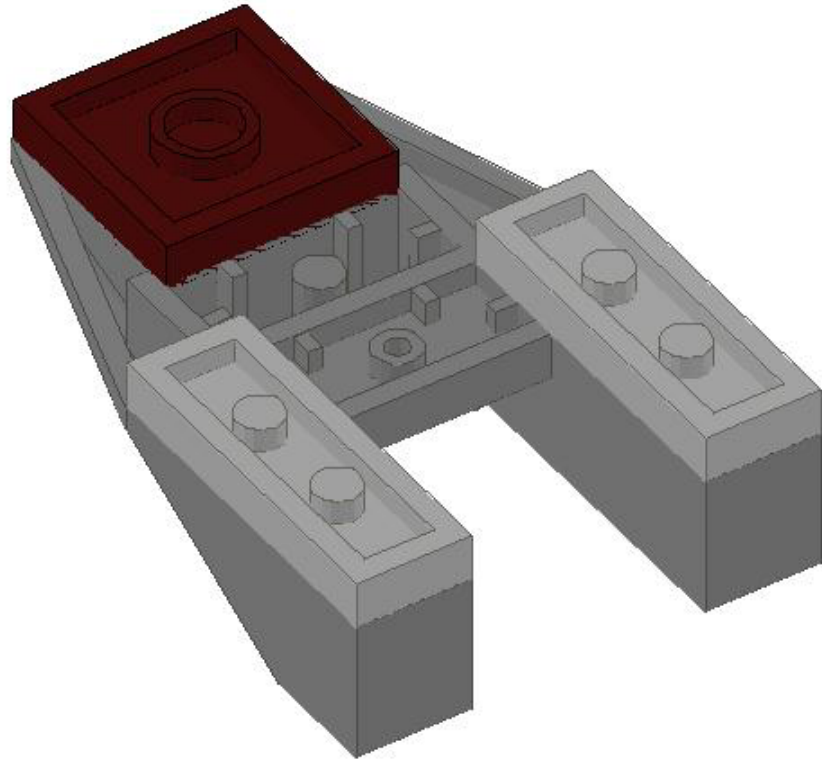
is actually

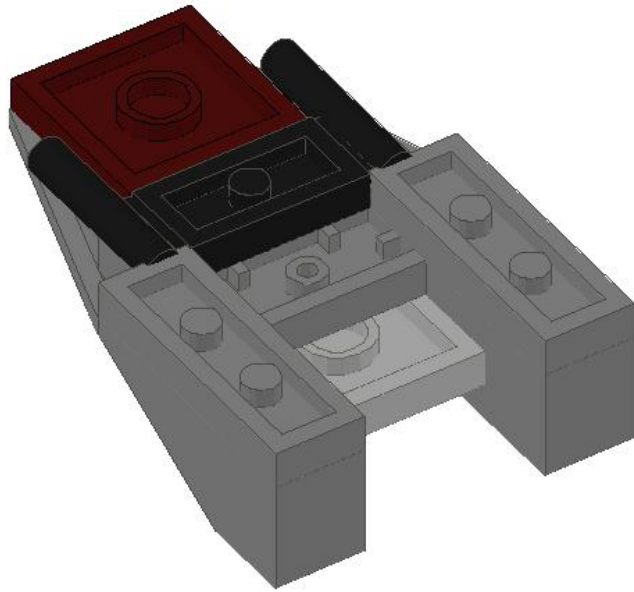




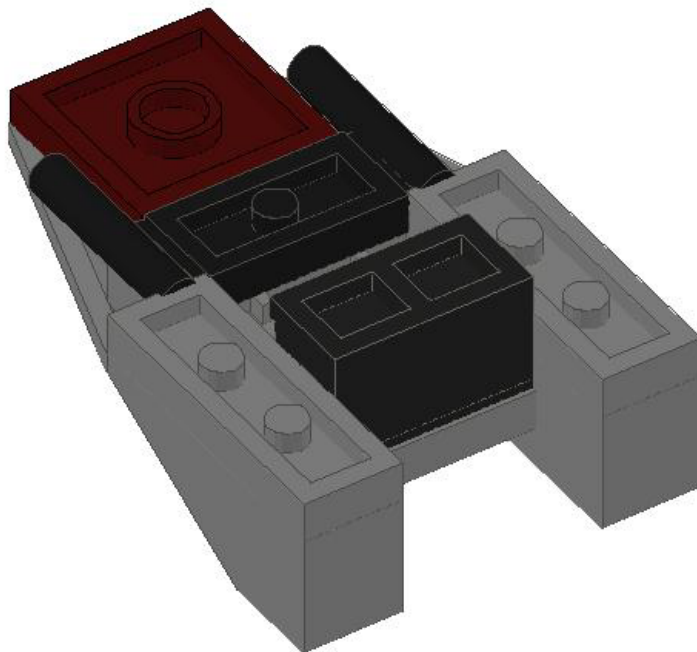
That completes the main hull of Snack-Size, now we'll build the bridge area.



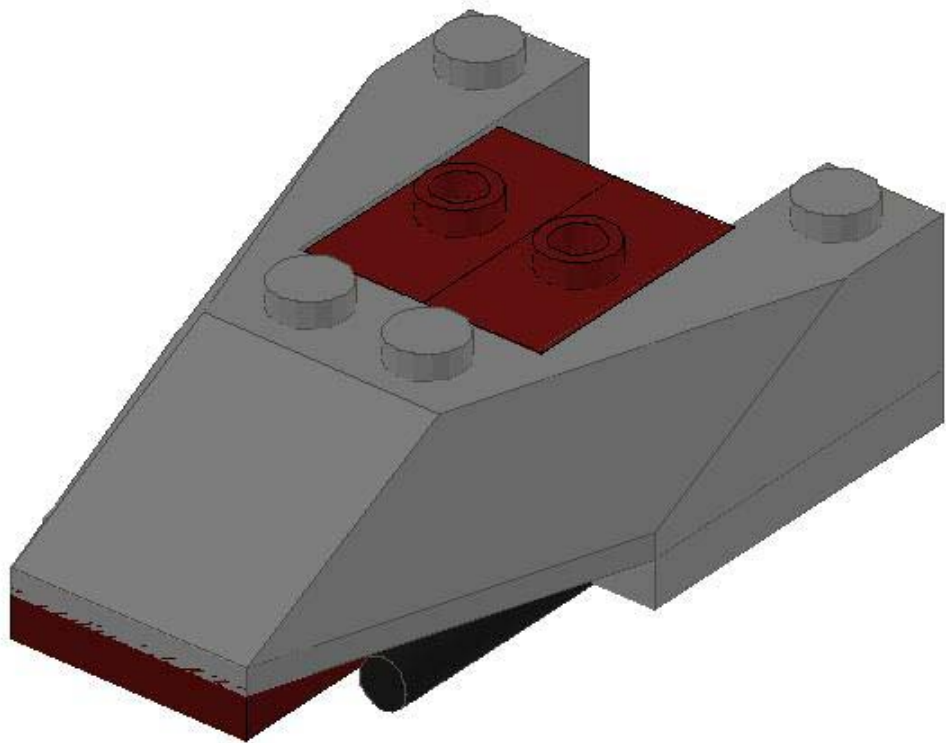
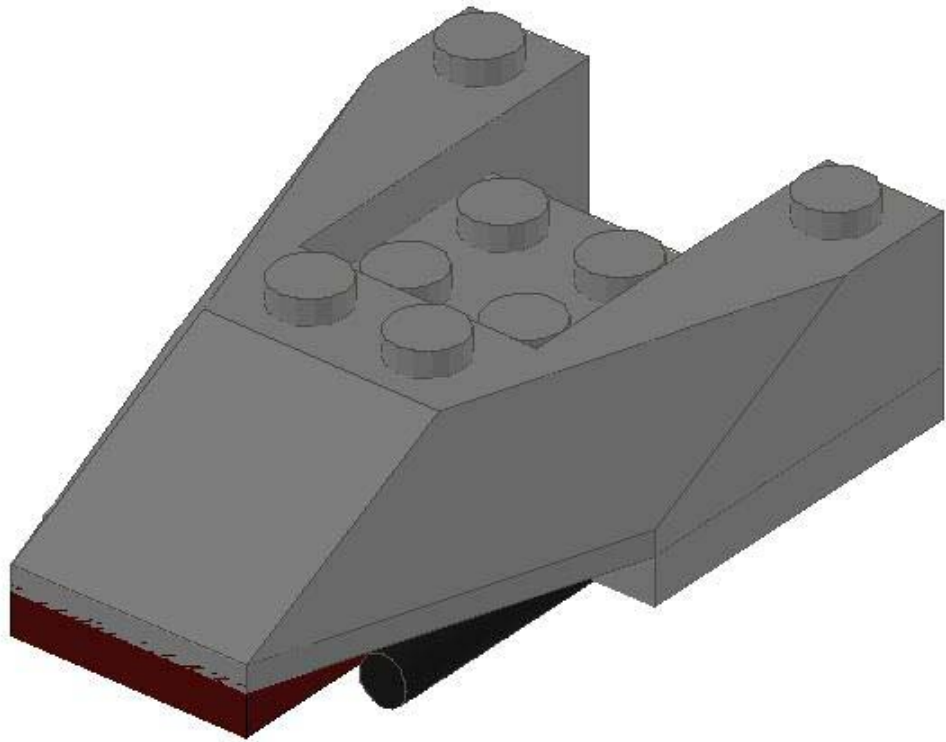


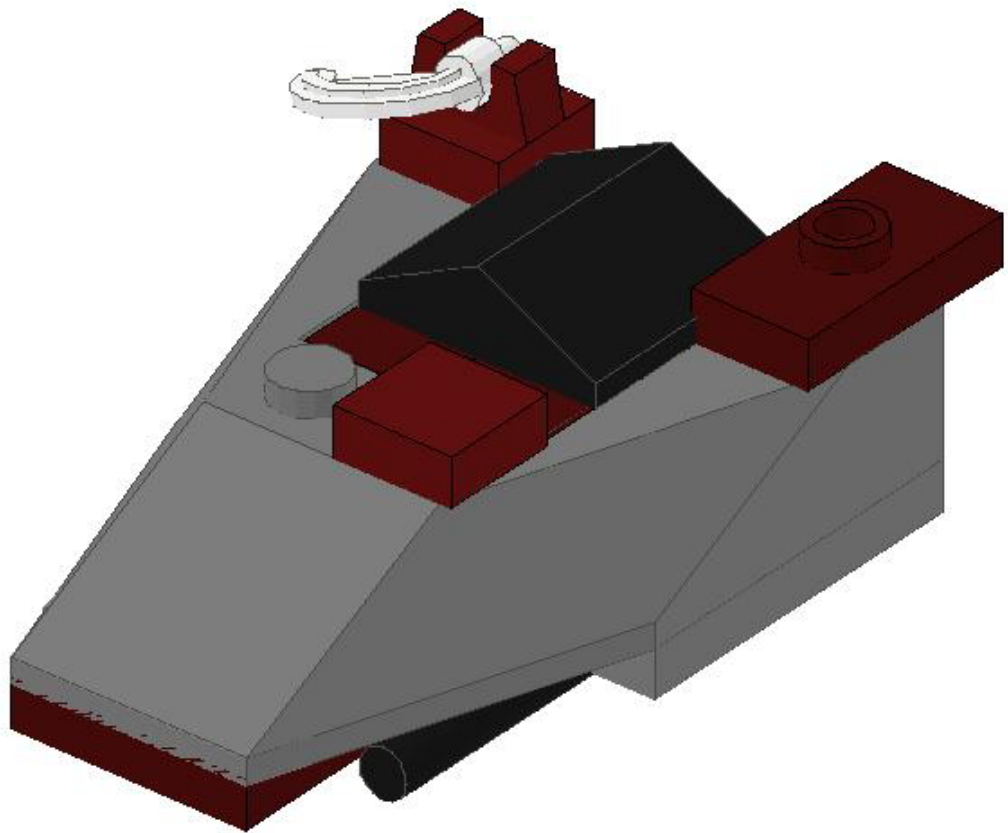
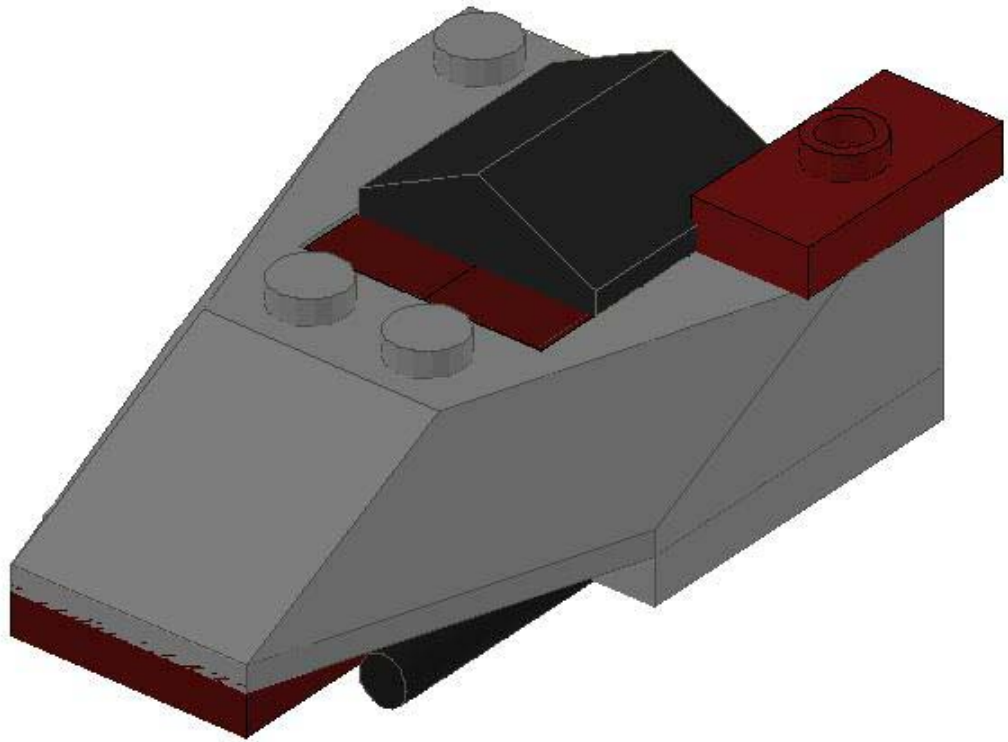


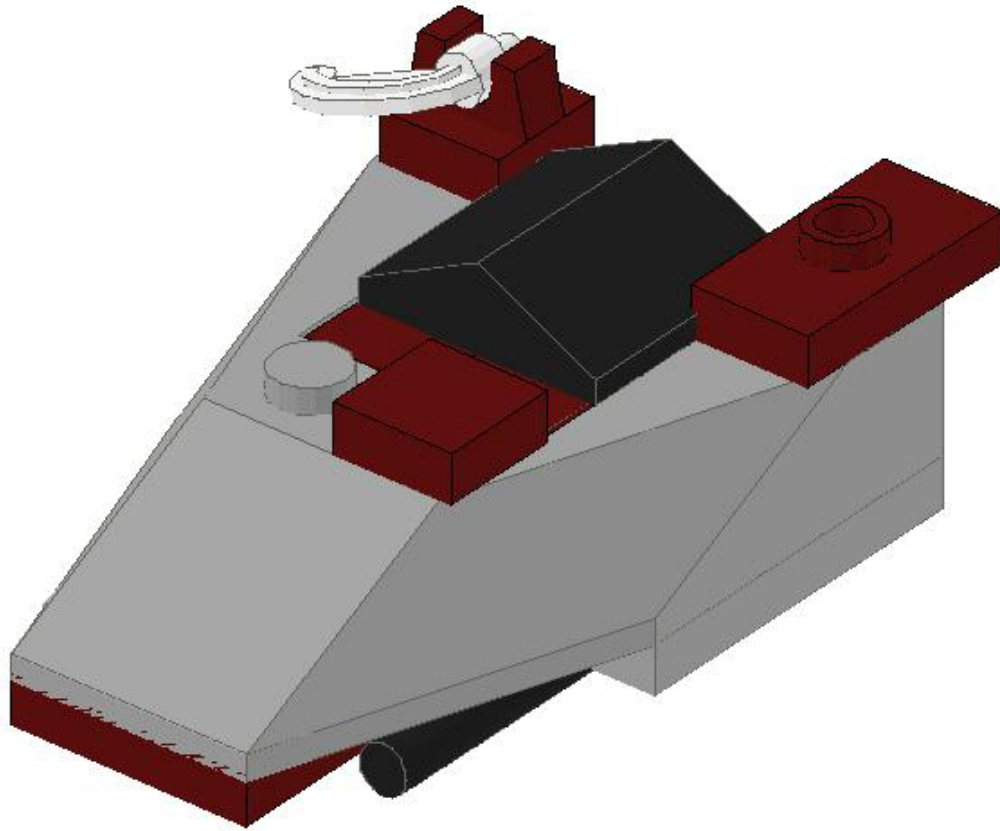
This next step attaches the black hinge piece. If you haven't already assembled the two halves, do so now... Also note the orientation – if you put this bit in backwards the nose won't bend down correctly.











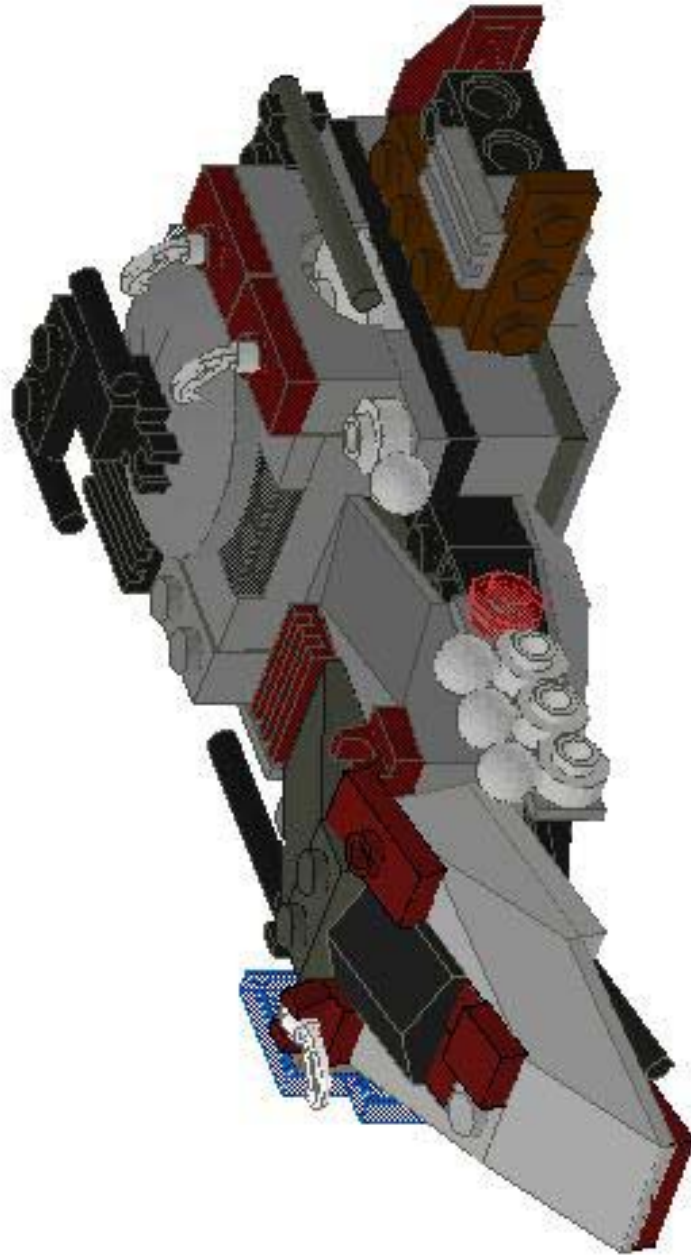
Remember that



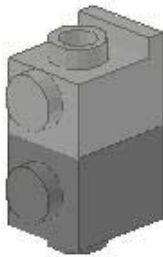
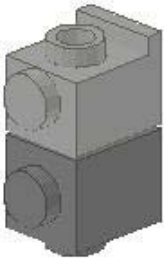
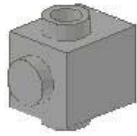
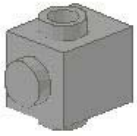
is actually

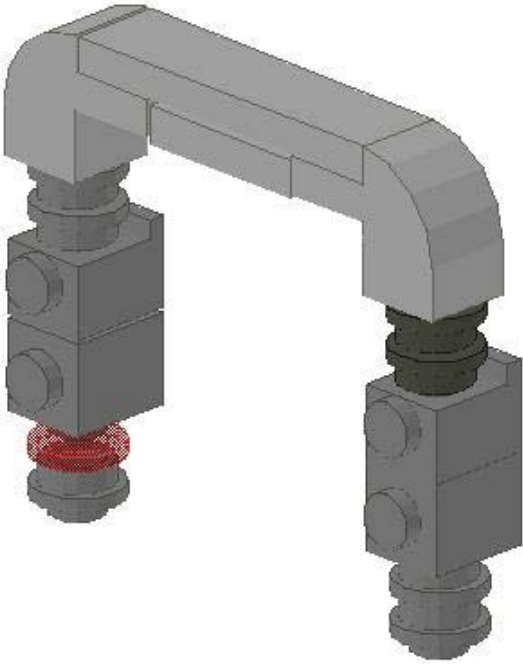
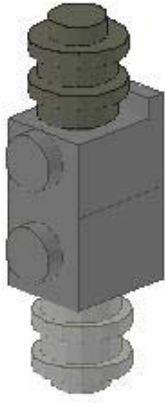
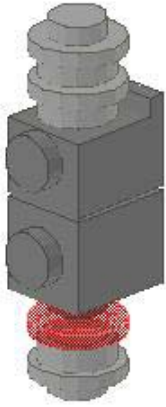


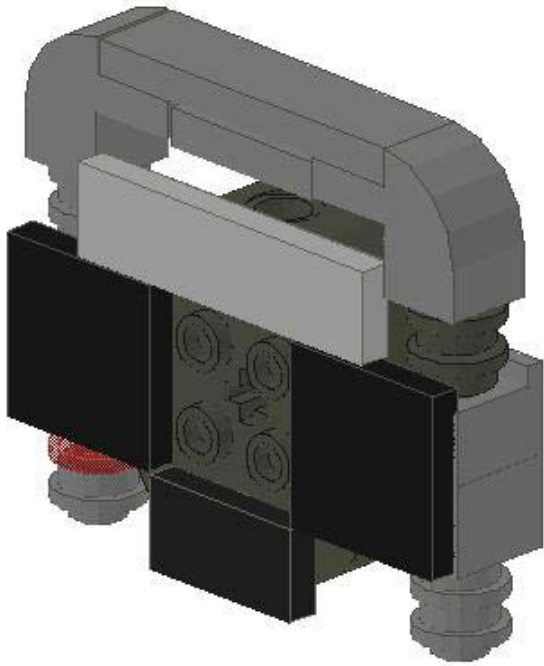
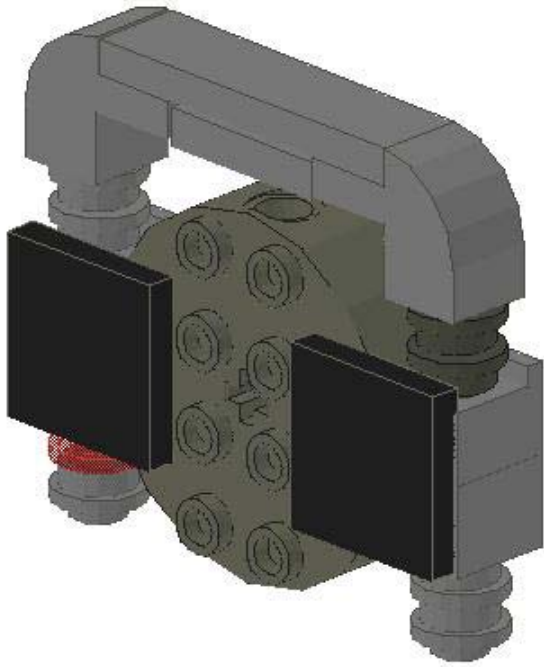
You can now connect the bridge and the hull together, like so:

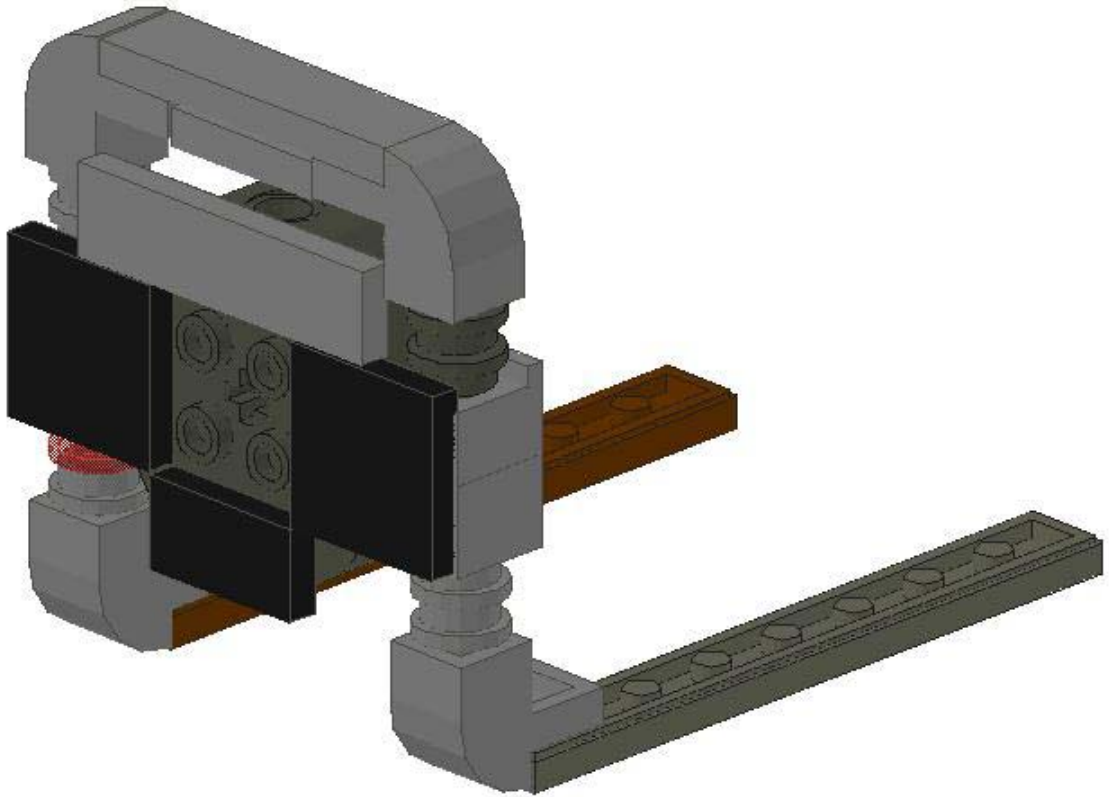
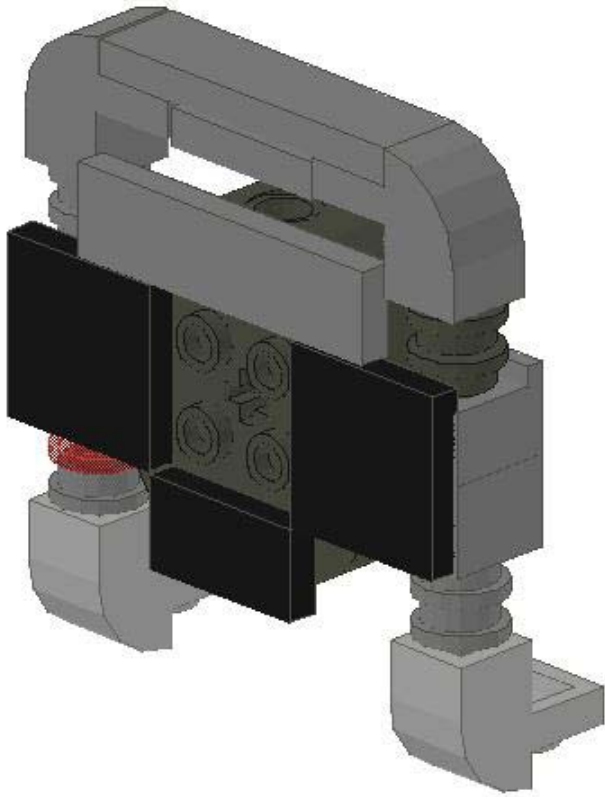


Next, we'll be building the "light ring" and landing support section.

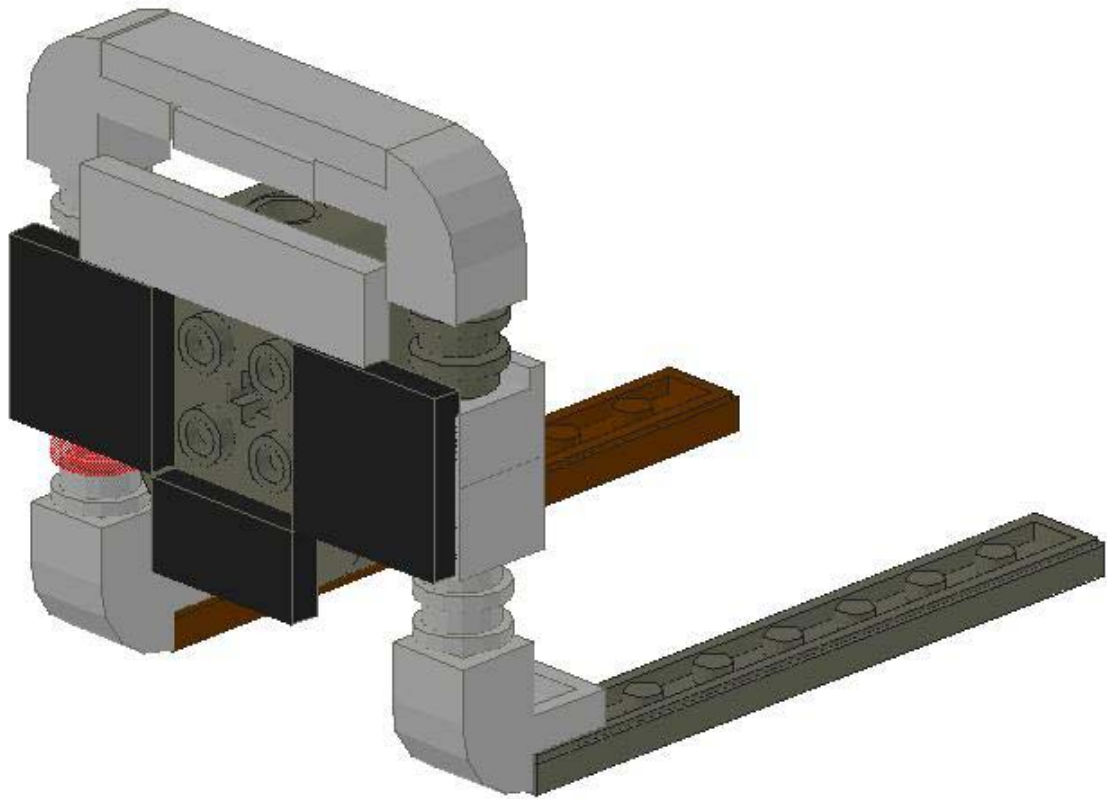






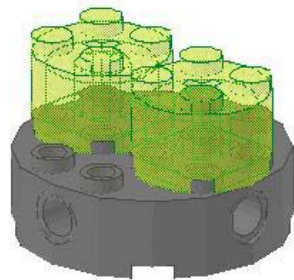
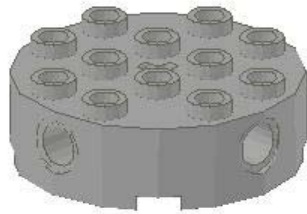


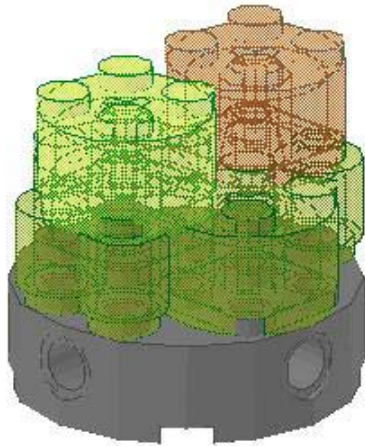
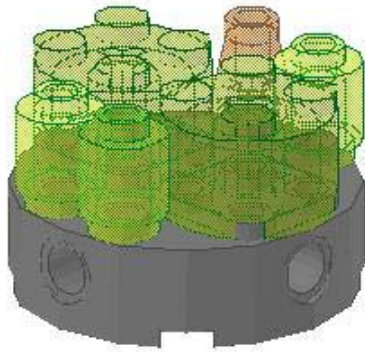


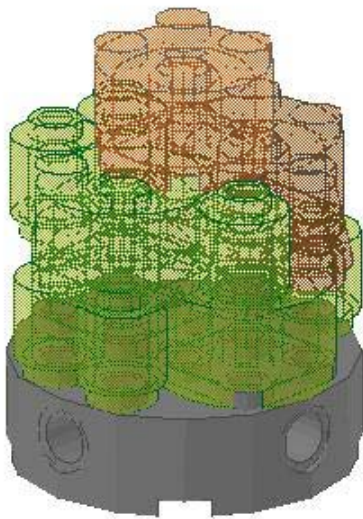
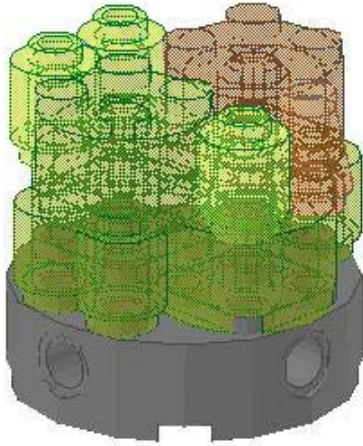


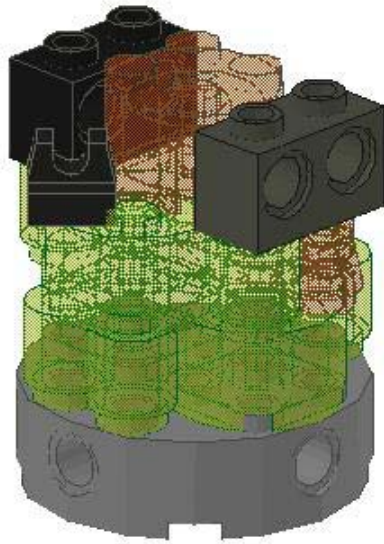
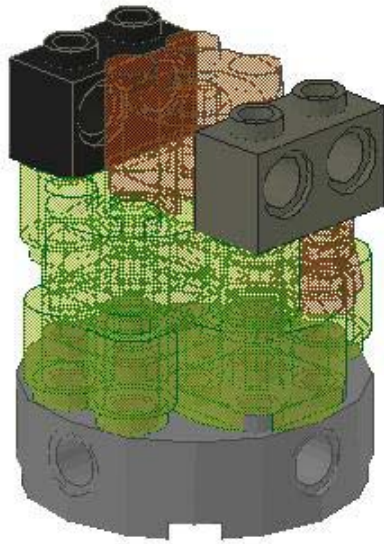
That completes another little section of the model. It won't connect to Serenity's hull until we build the firefly drive, though.

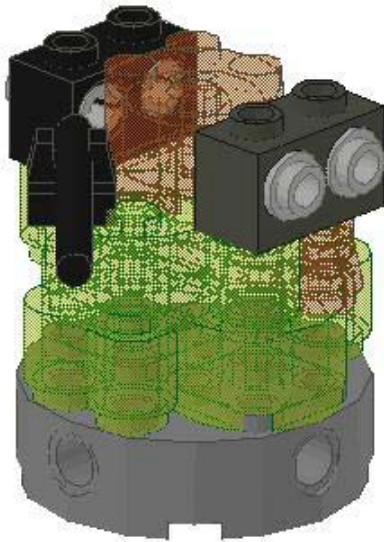
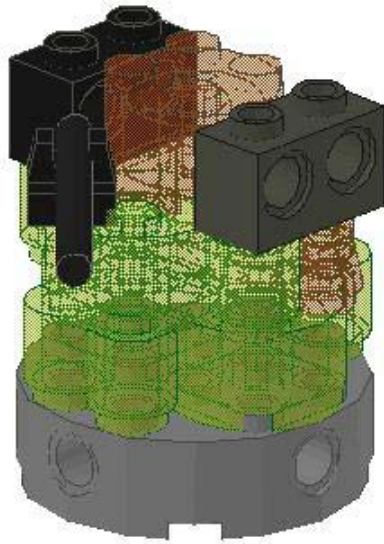
Next up: The Firefly Drive

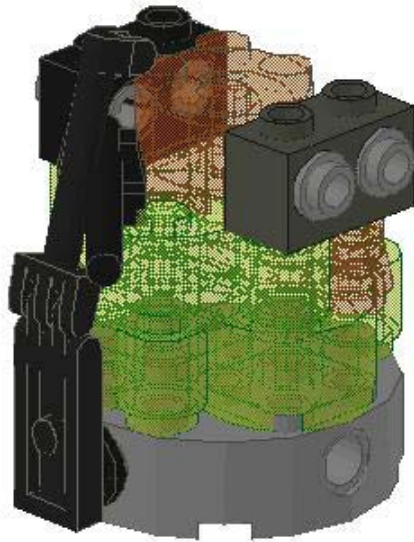
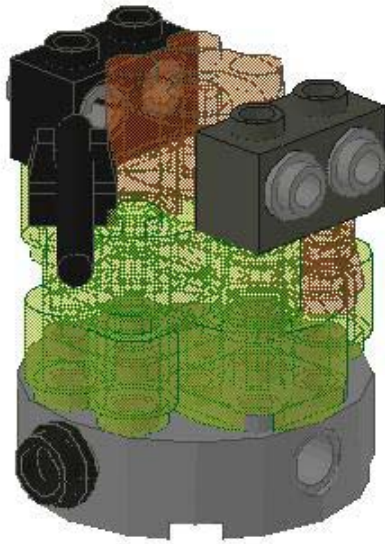


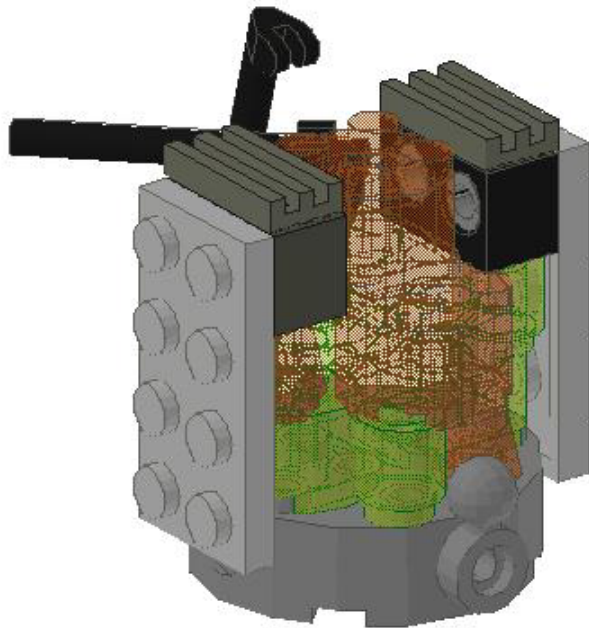
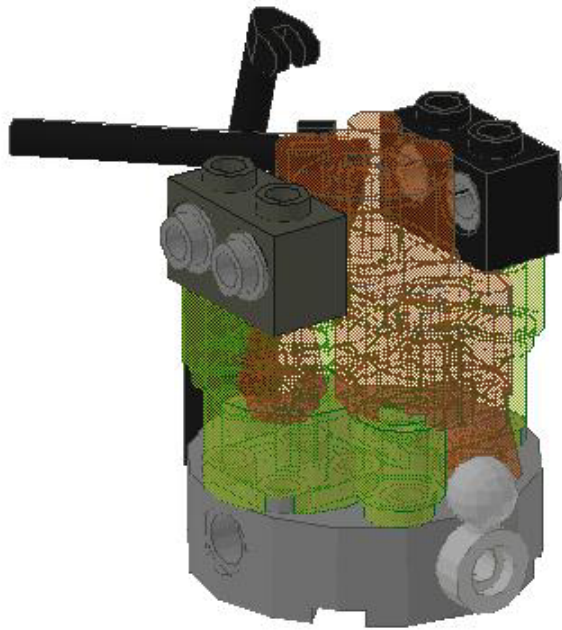




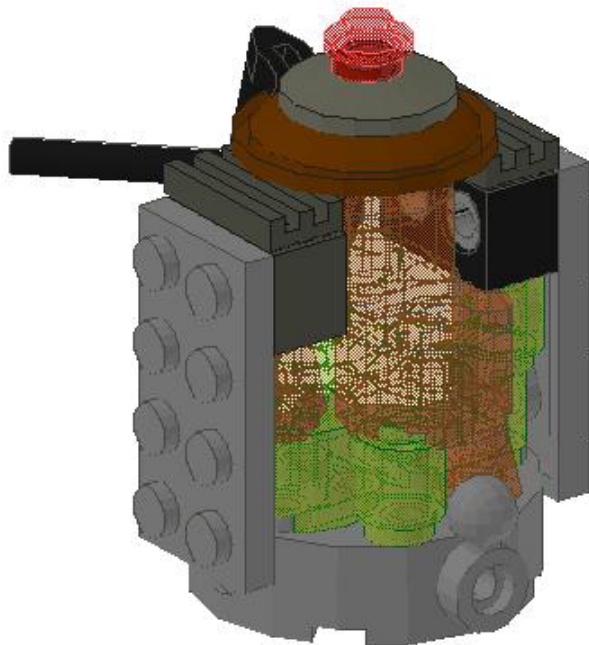
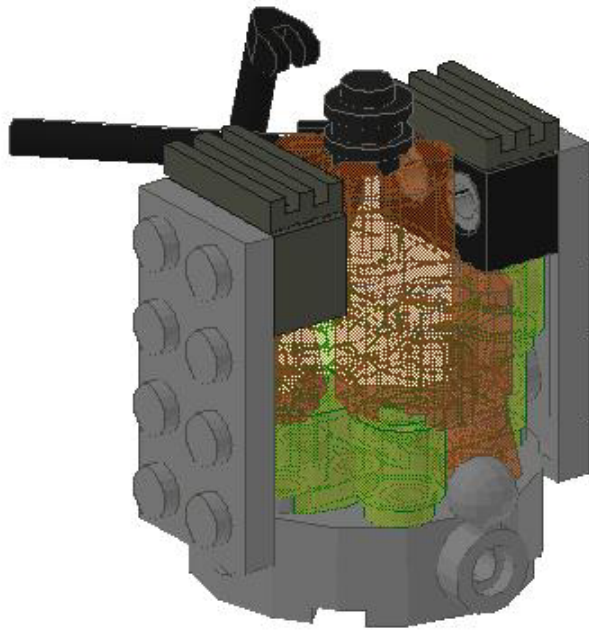


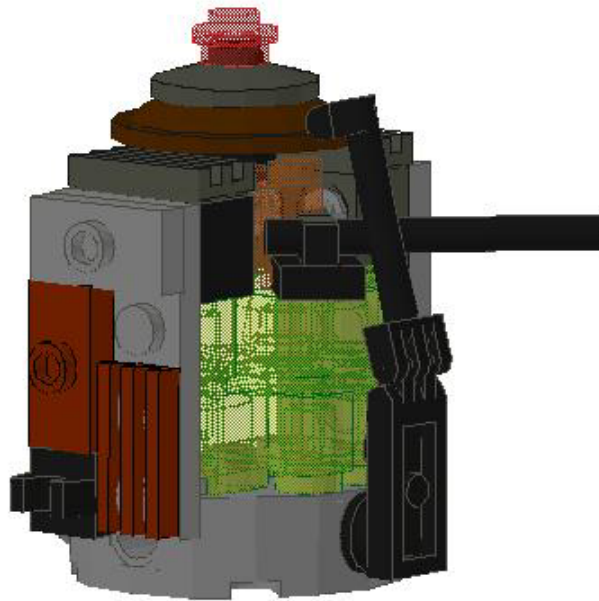
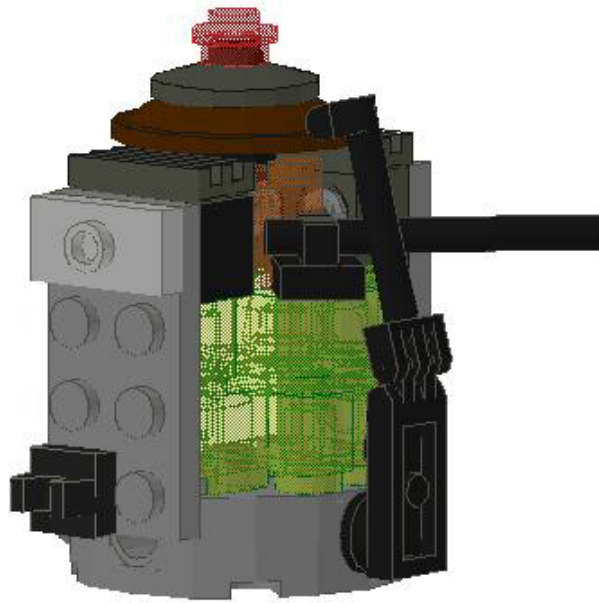


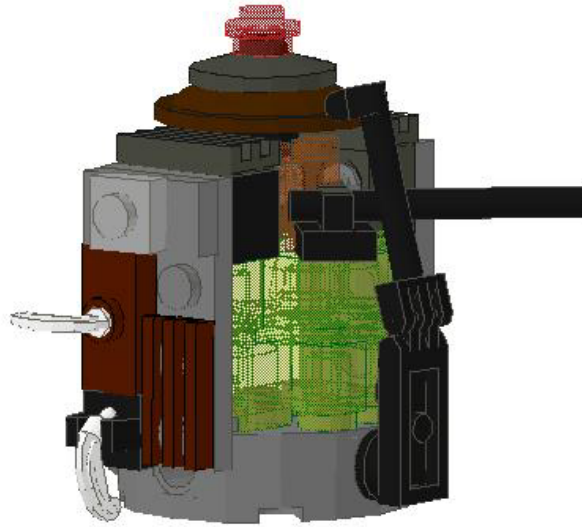




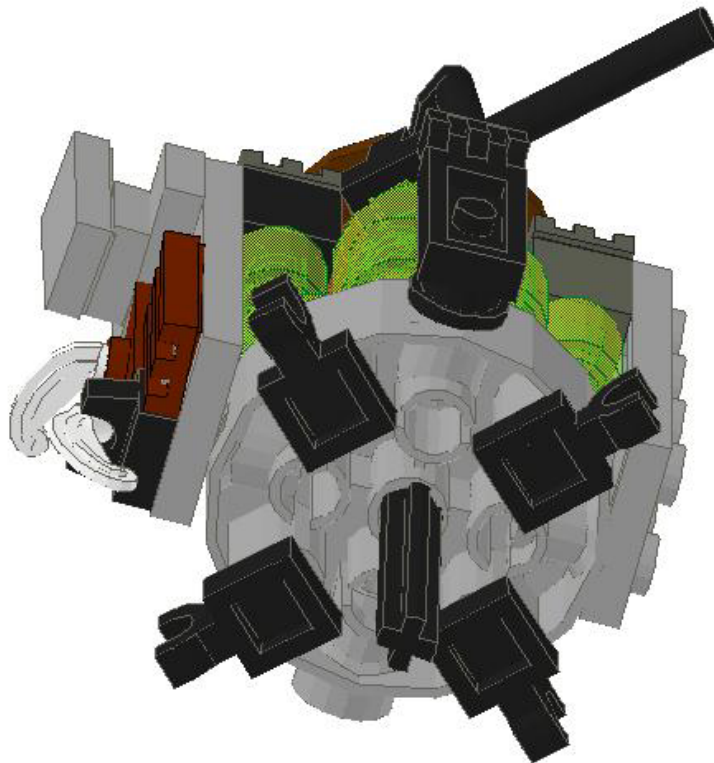




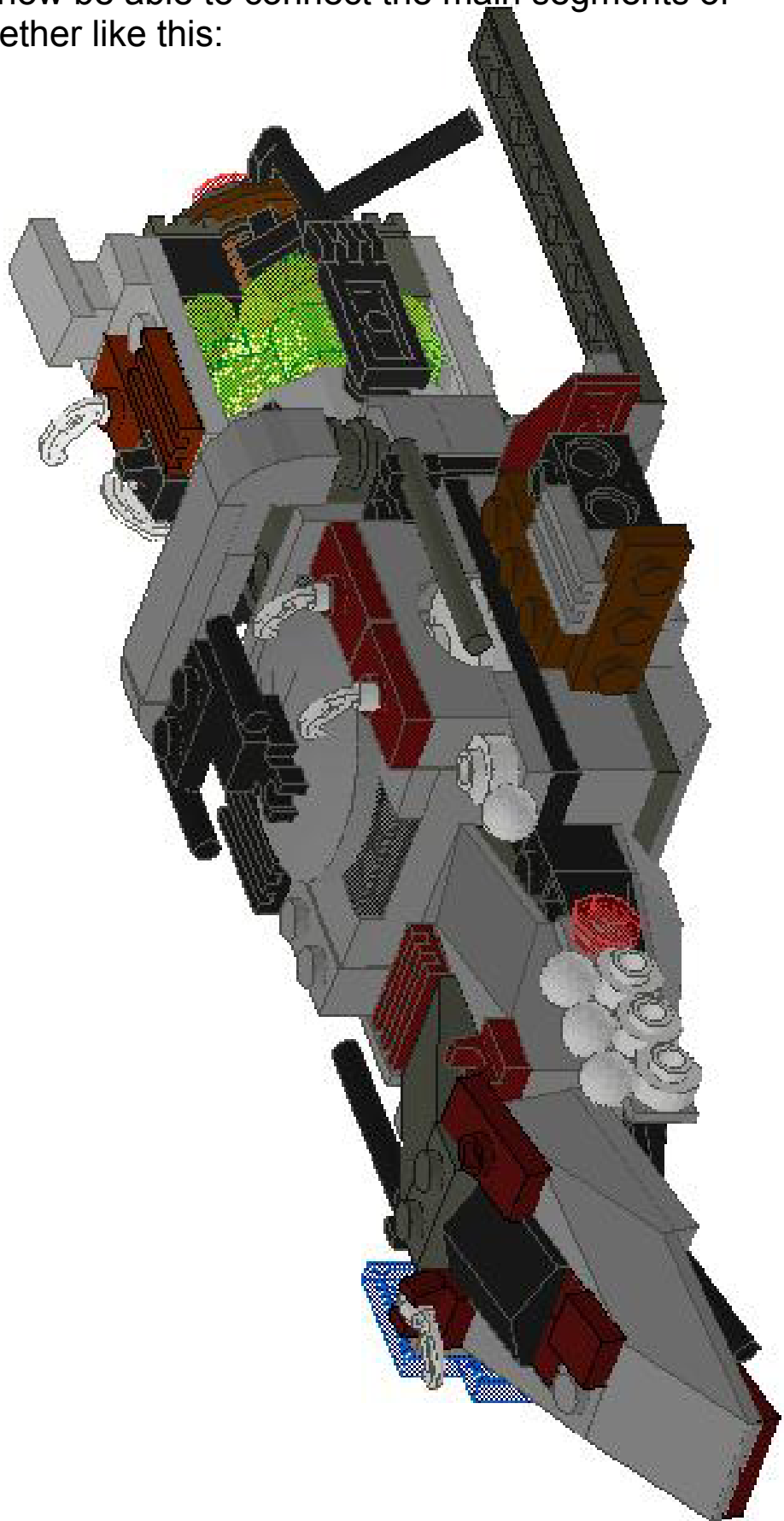




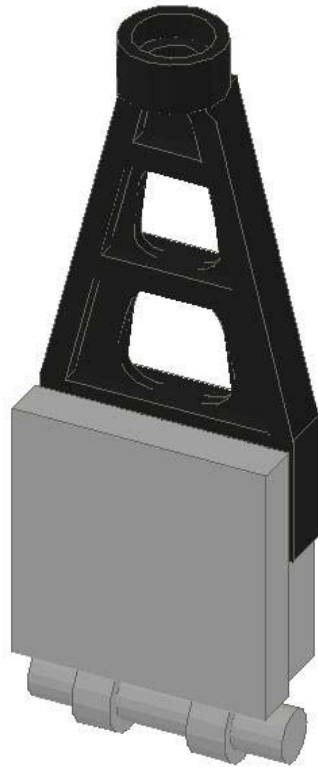
This next step is a bit tricky – the clips probably won't stay on their own. The next step locks them into place, though.



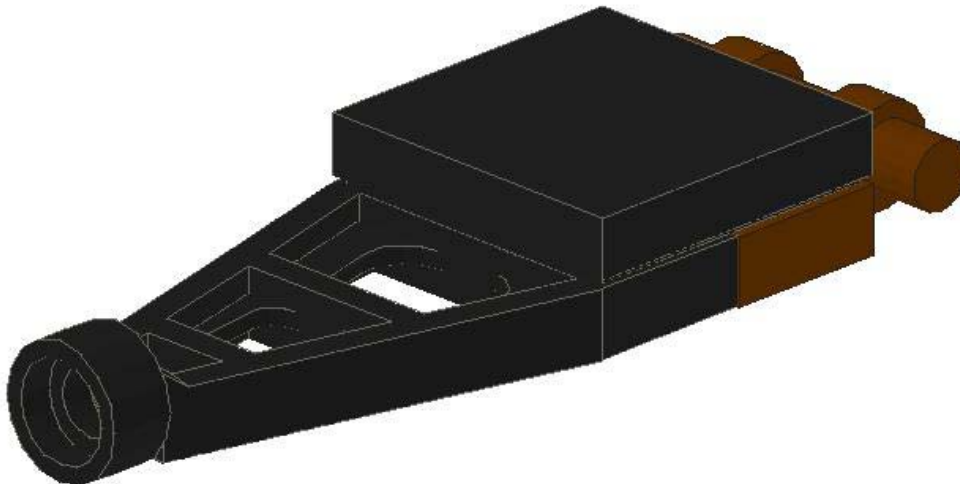
You should now be able to connect the main segments of Serenity together like this:



Next, you'll need to build one of these:



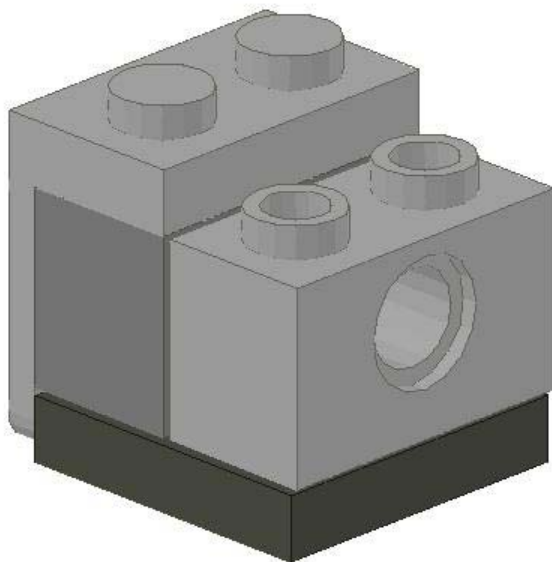
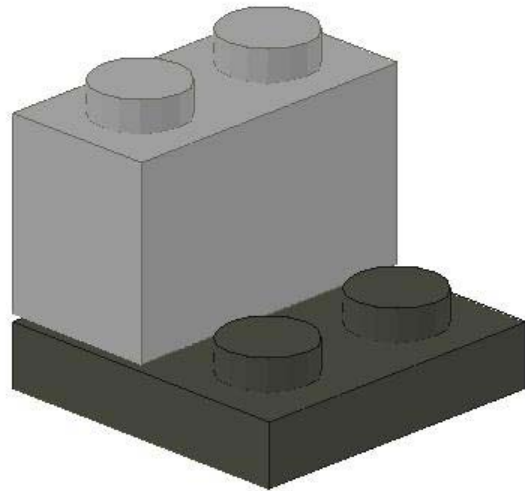
and three of these.

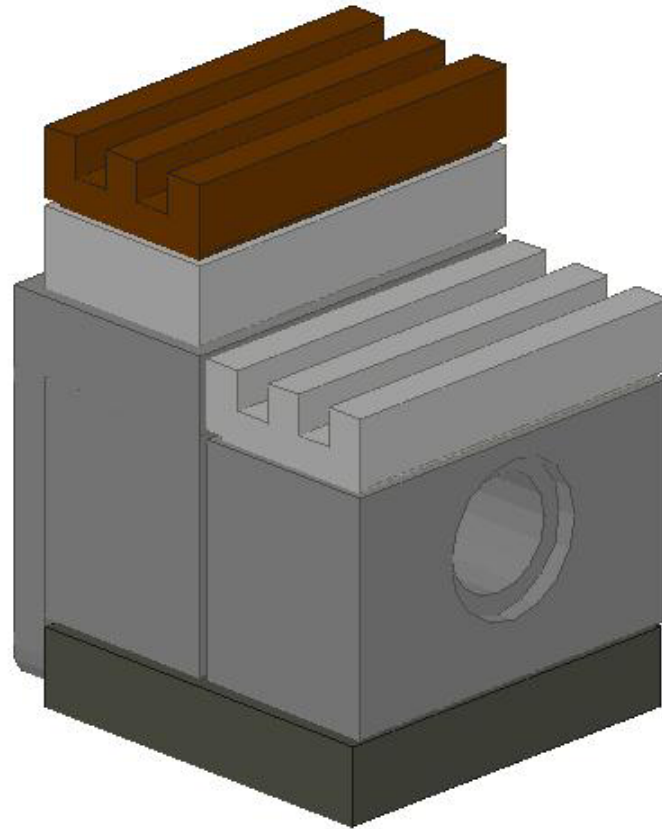


They clip onto the drive section like this. Careful! This step is pretty delicate – you might need to add these on before you group everything together. Note the one vane is braced by the bar!

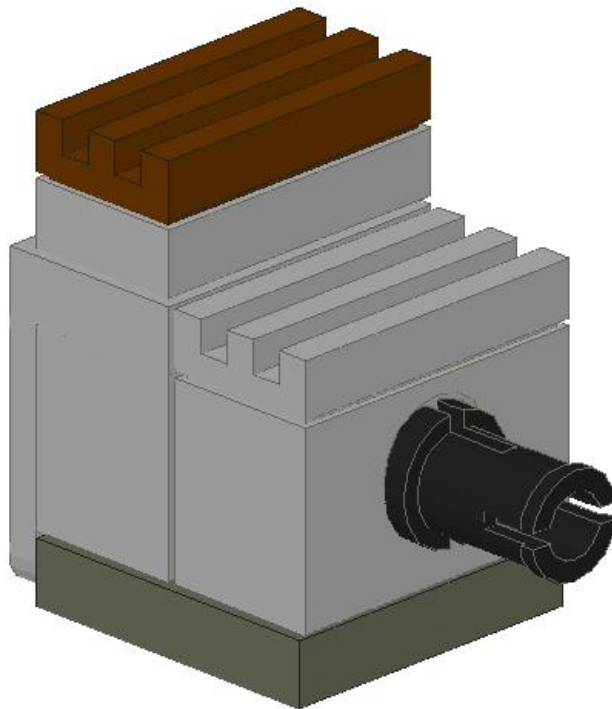


Next up, the engine mounts. You'll be building two of these:





You're adding both a 1x2 plate and a grill in this step.

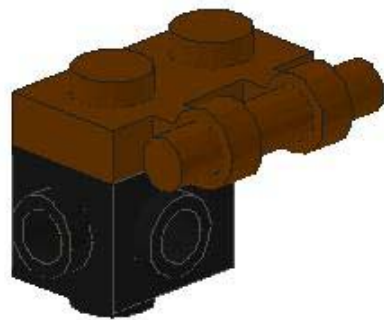


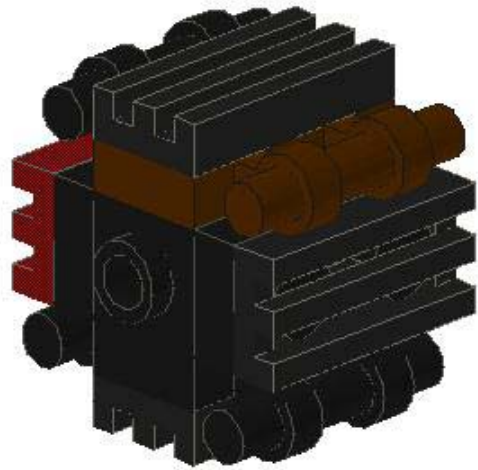
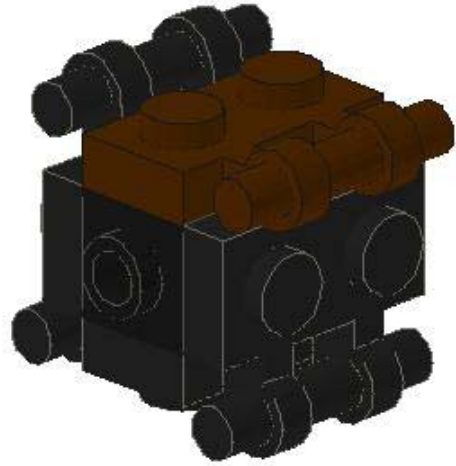


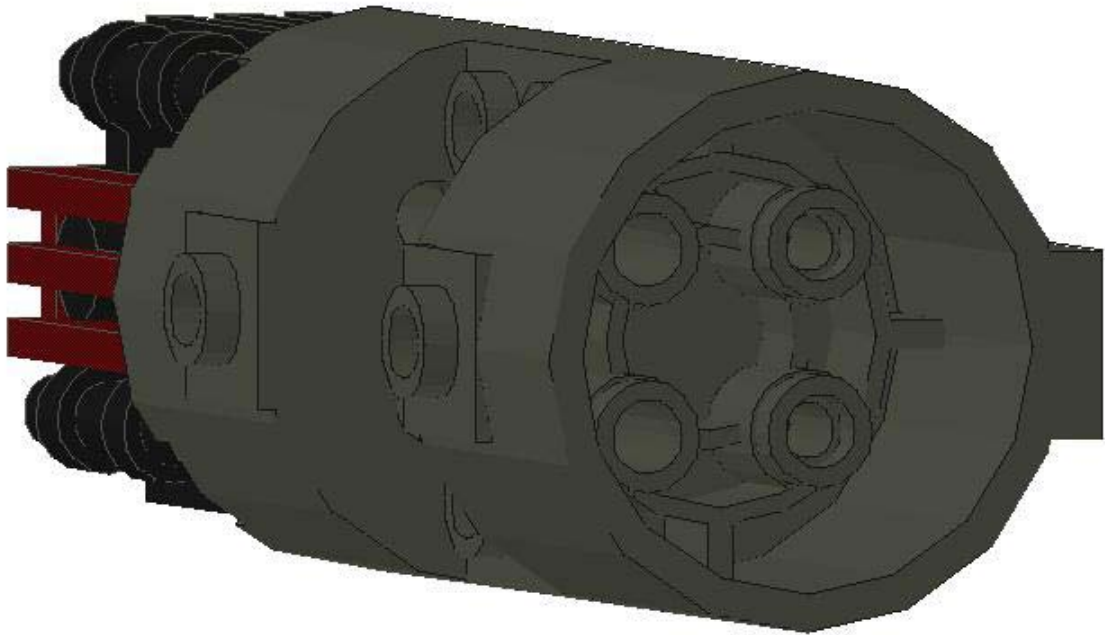
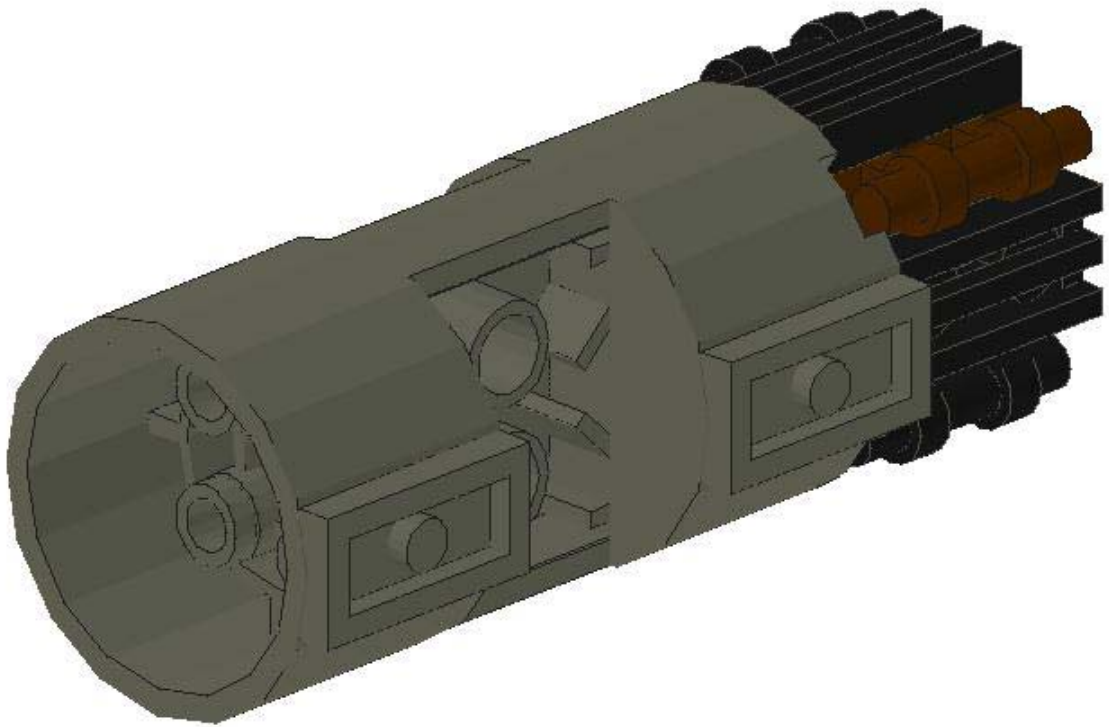
Now attach them to the main hull on each side.

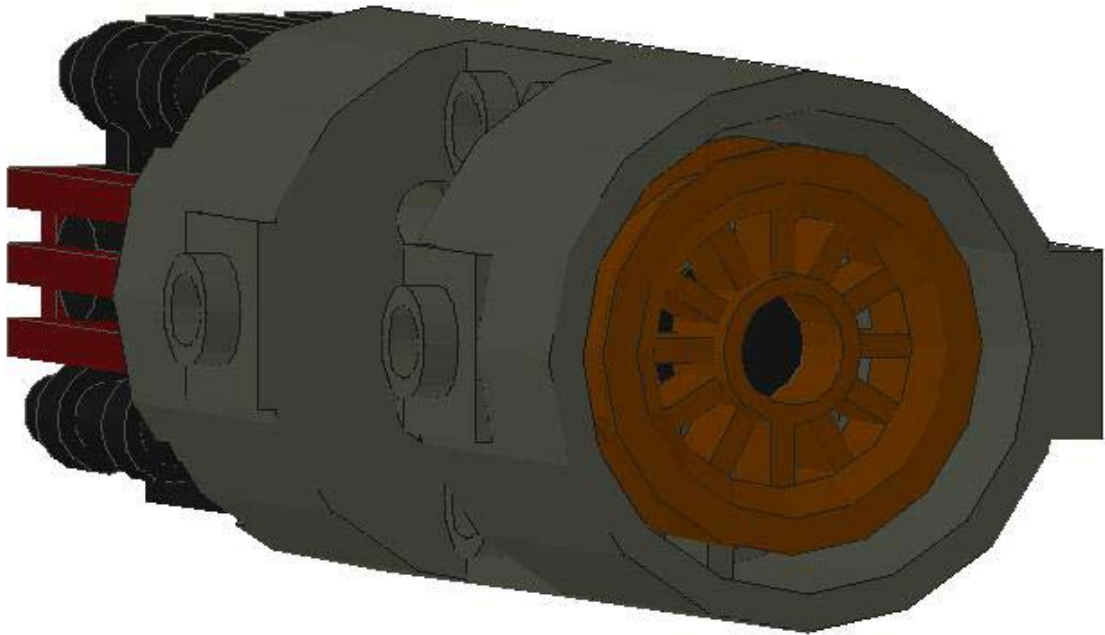
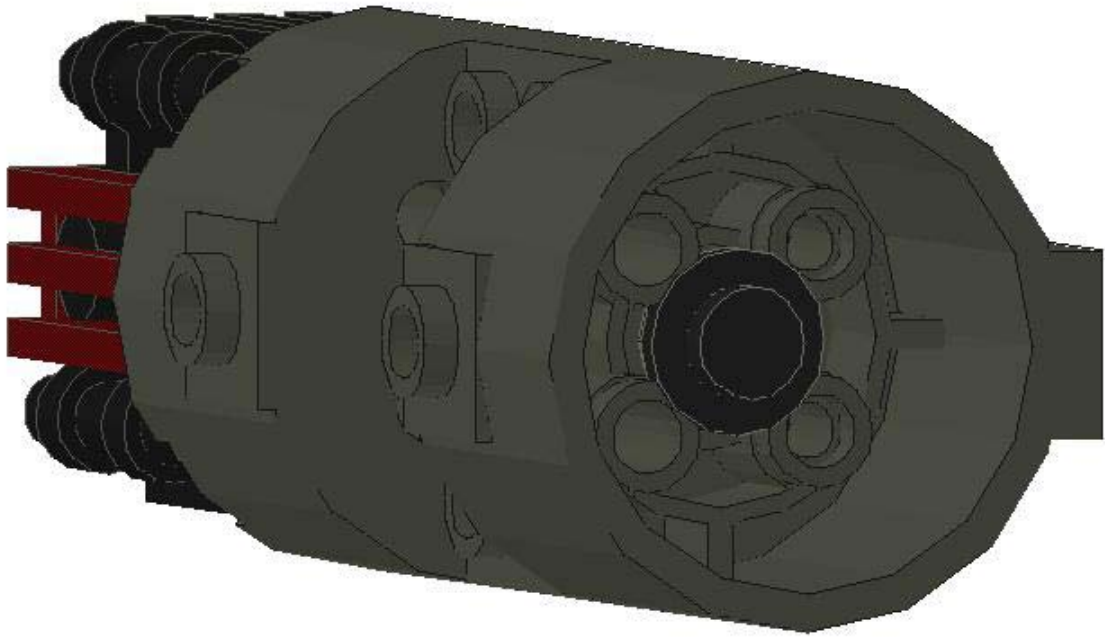


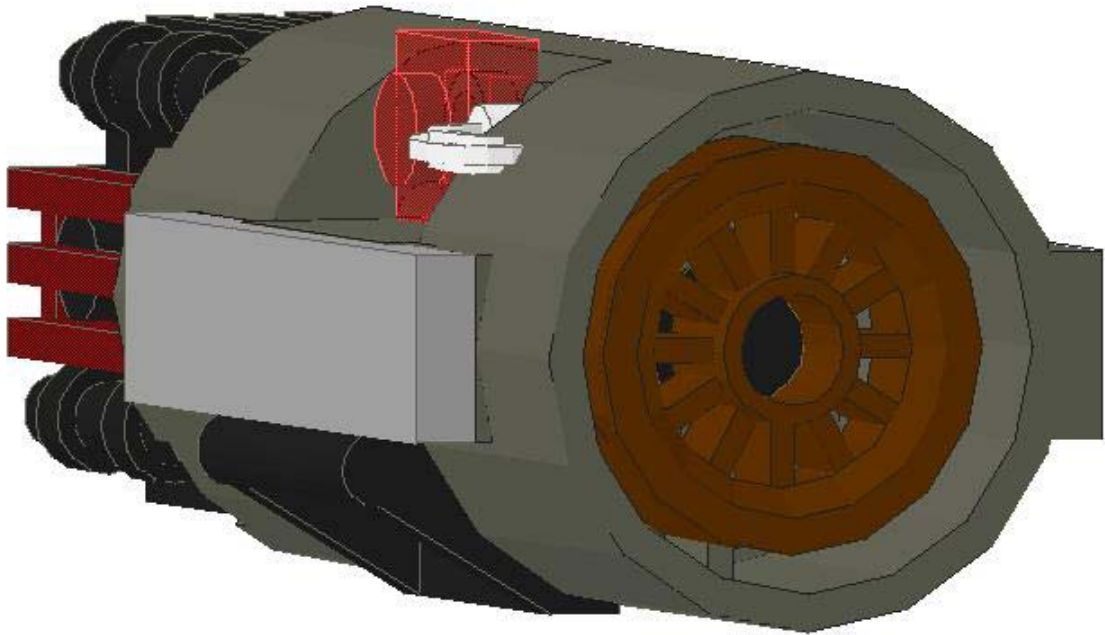
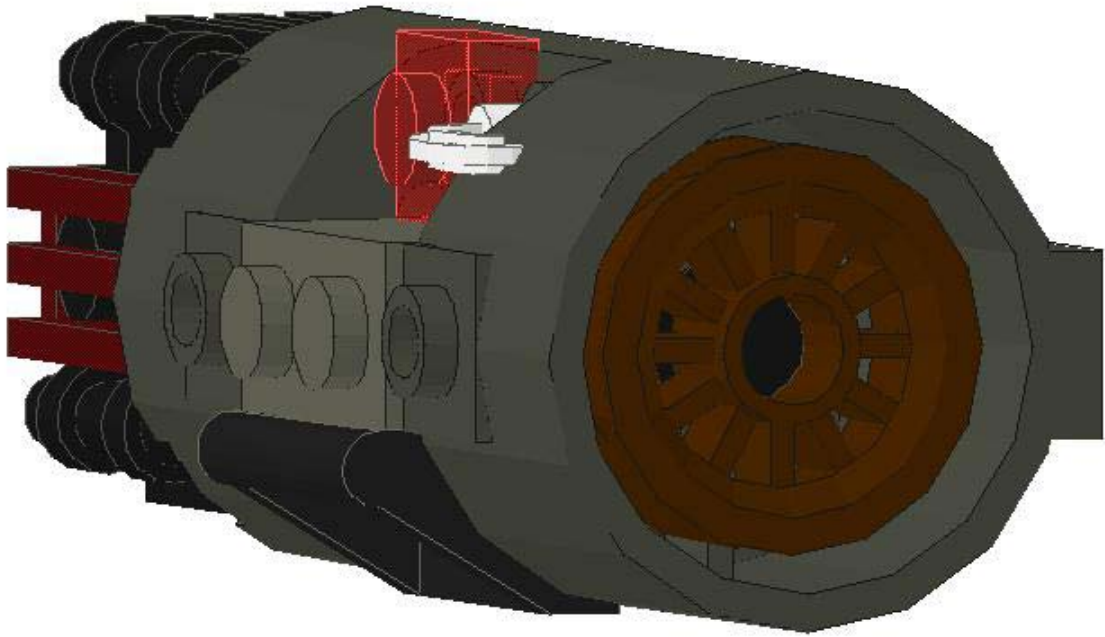
We're in the final stages now- we just have to assemble the side engines.



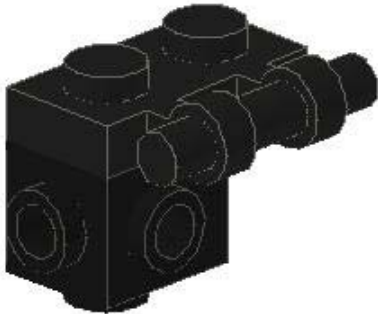
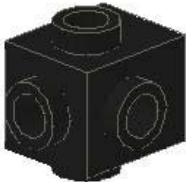


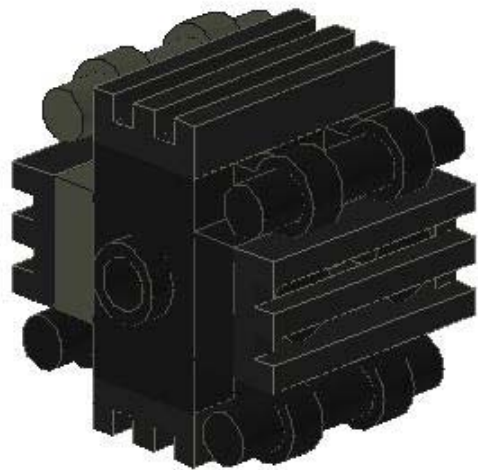
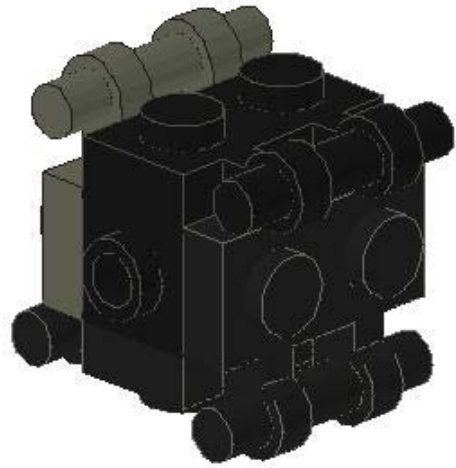




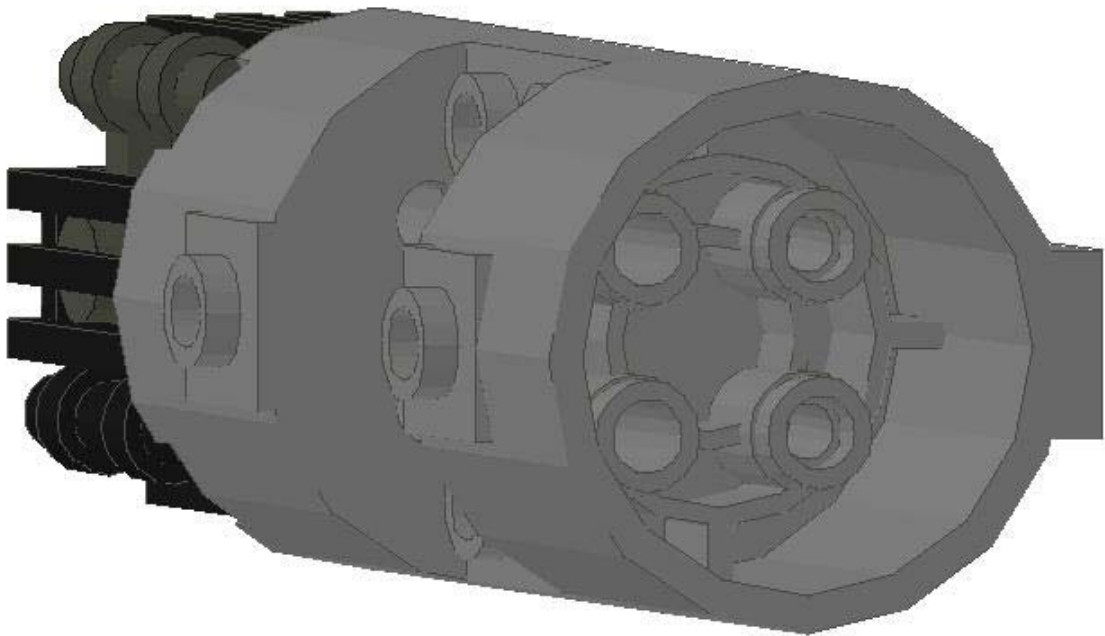
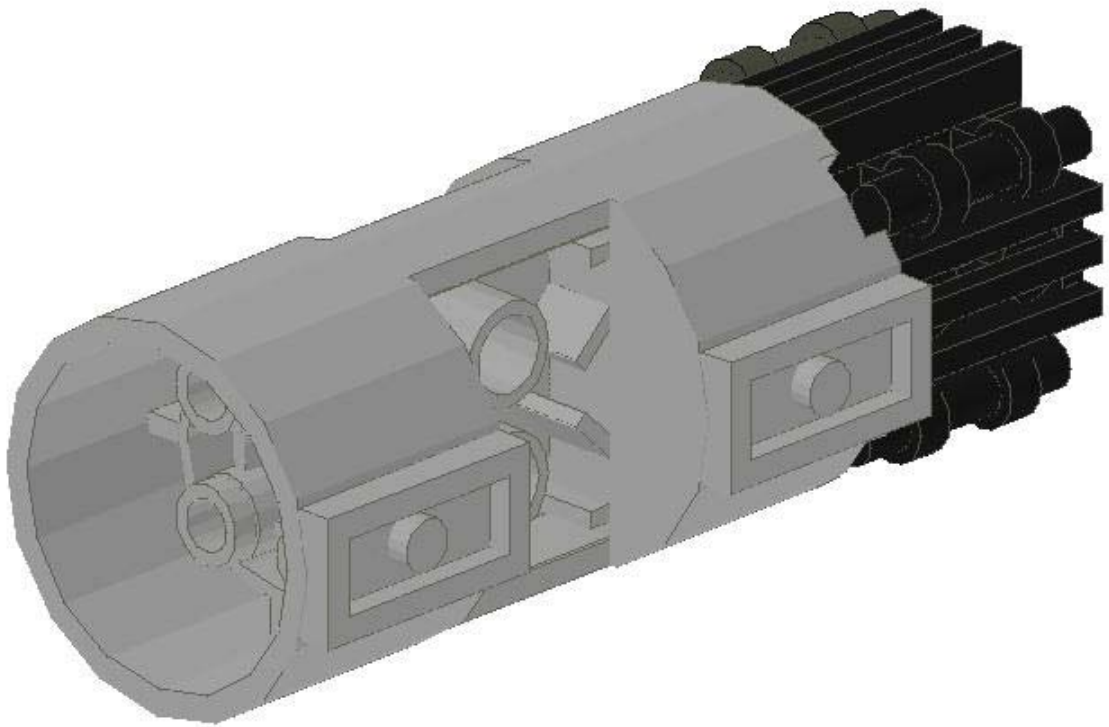


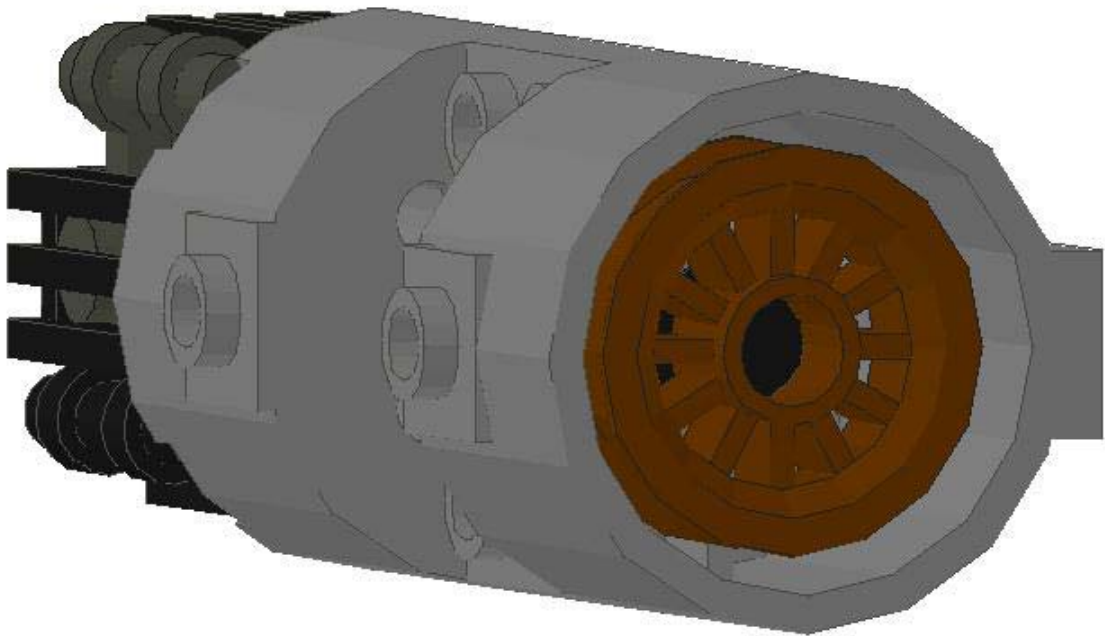
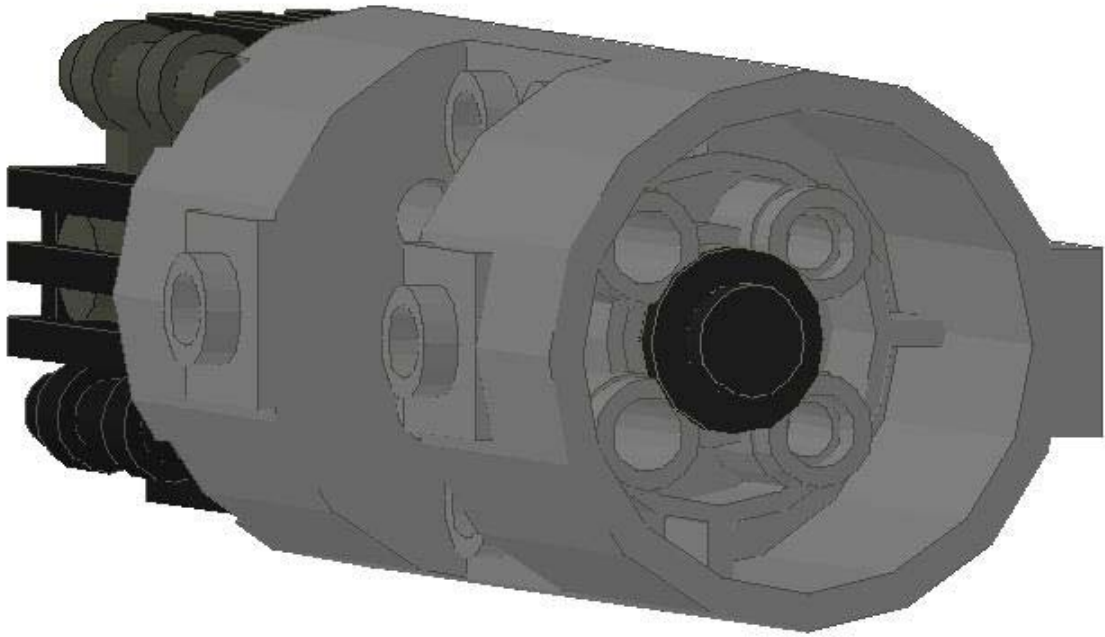
Just one more sub-assembly to go! We'll attach both of the side engines at the same time.

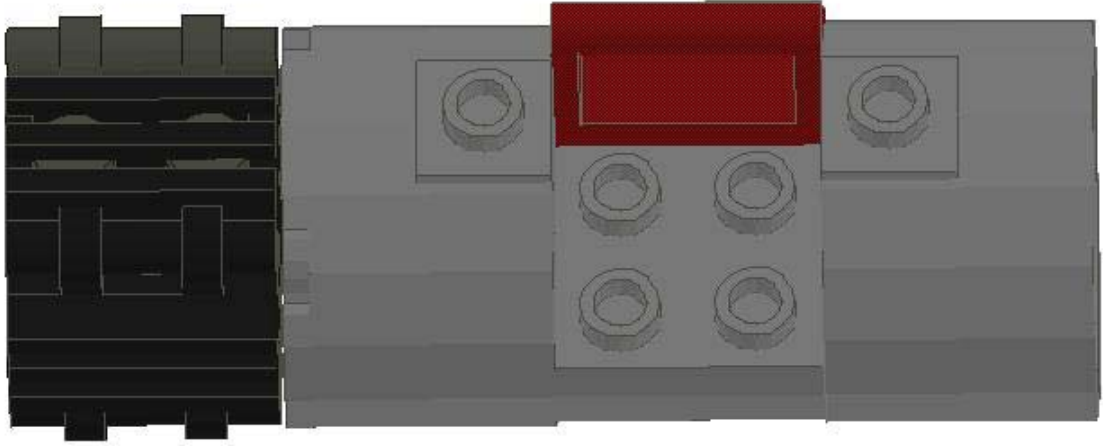














Snap the engines on and your Reavier-ized model of Snack-Sized Serenity is now complete!

